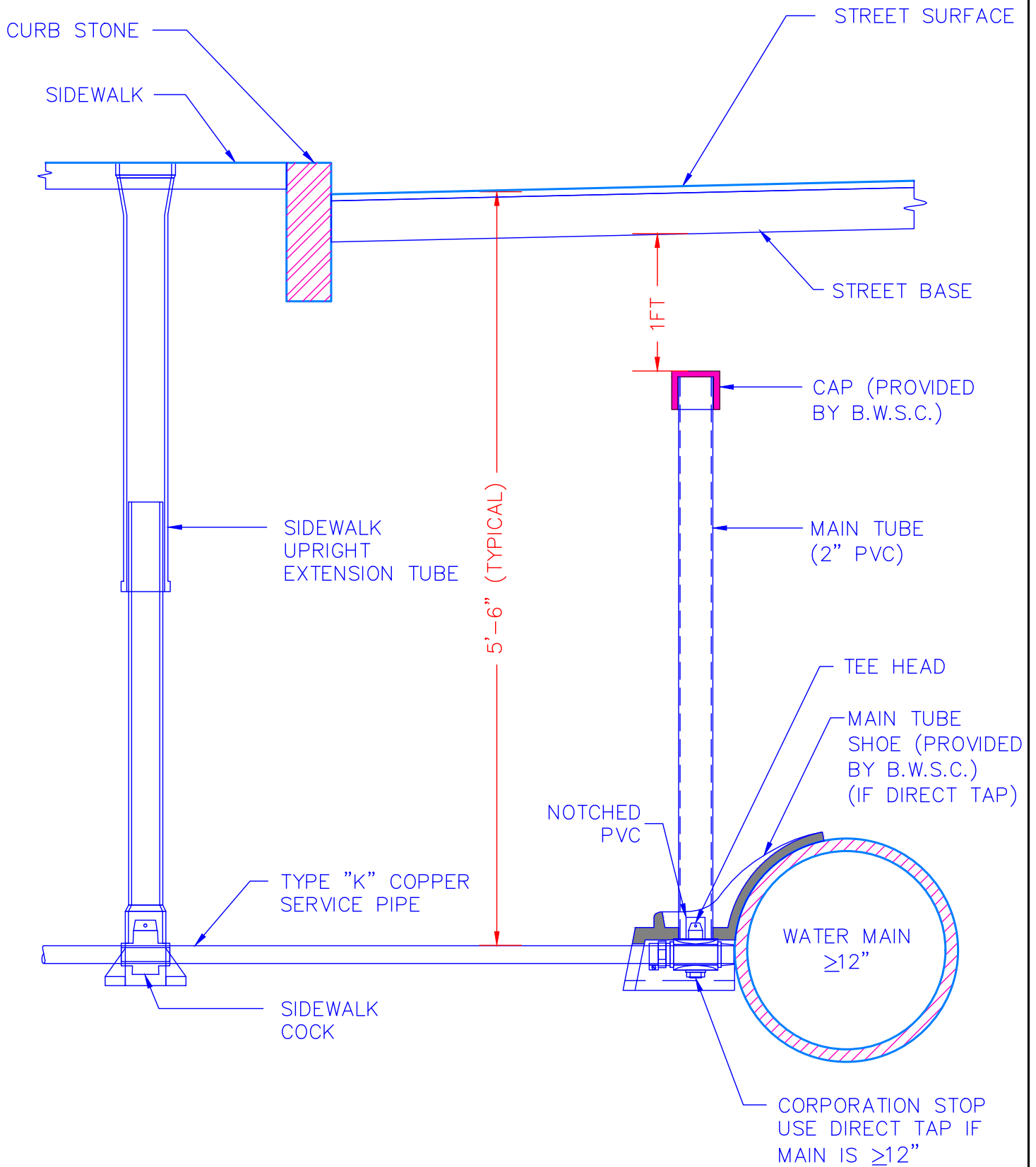


Location:Filename: V:\eng\ACAD_STD\Technical Details\A - Water Details\A-10 - Typical Water Connection for 3/4 and 1 inch Service Pipes.dwg
Plotted on: Thursday, November 20, 2014 - 2:26 PM by Donohoe, William



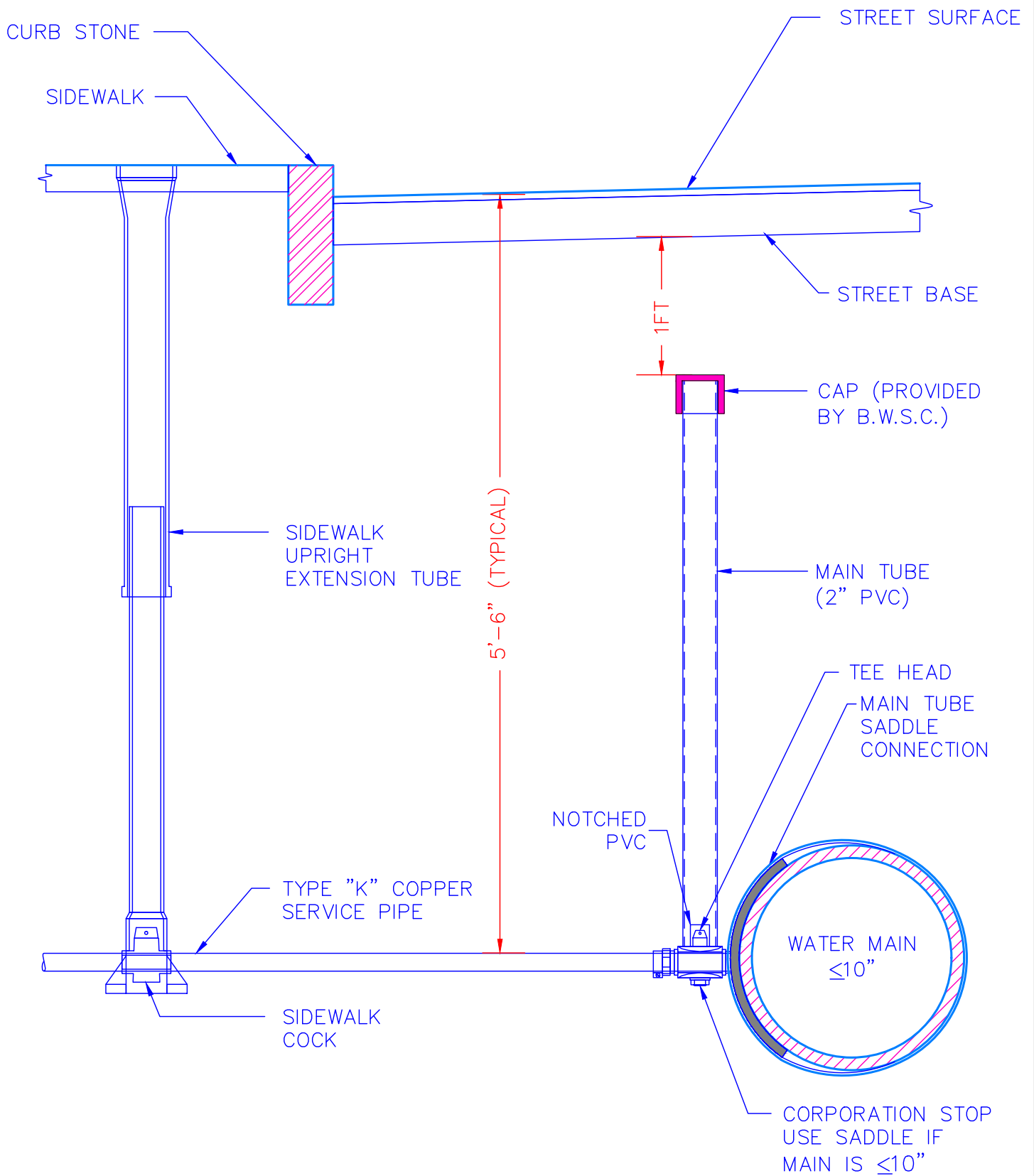
Boston Water and Sewer Commission
980 HARRISON AVE., BOSTON, MA 02119
(617) 989-7000 www.bwsc.org

**TYPICAL WATER CONNECTION FOR
3/4 AND 1-INCH SERVICE PIPES
TO 12"-16" WATER MAINS**
Scale: Not To Scale

DATE:
Nov 20, 2014

DETAIL NO.
A-10a

Location:Filename: V:\eng\ACAD_STD\Technical Details\A - Water Details\A-10 - Typical Water Connection for 3/4" and 1 inch Service Pipes.dwg
 Plotted on: Thursday, November 20, 2014 - 2:26 PM by Donohoe, William



Boston Water and Sewer Commission
 980 HARRISON AVE., BOSTON, MA 02119
 (617) 989-7000 www.bwsc.org

TYPICAL WATER CONNECTION FOR 3/4 AND 1-INCH SERVICE PIPES TO 4"-10" WATER MAINS
 Scale: Not To Scale

DATE:
 Nov 20, 2014

DETAIL NO.
A-10b