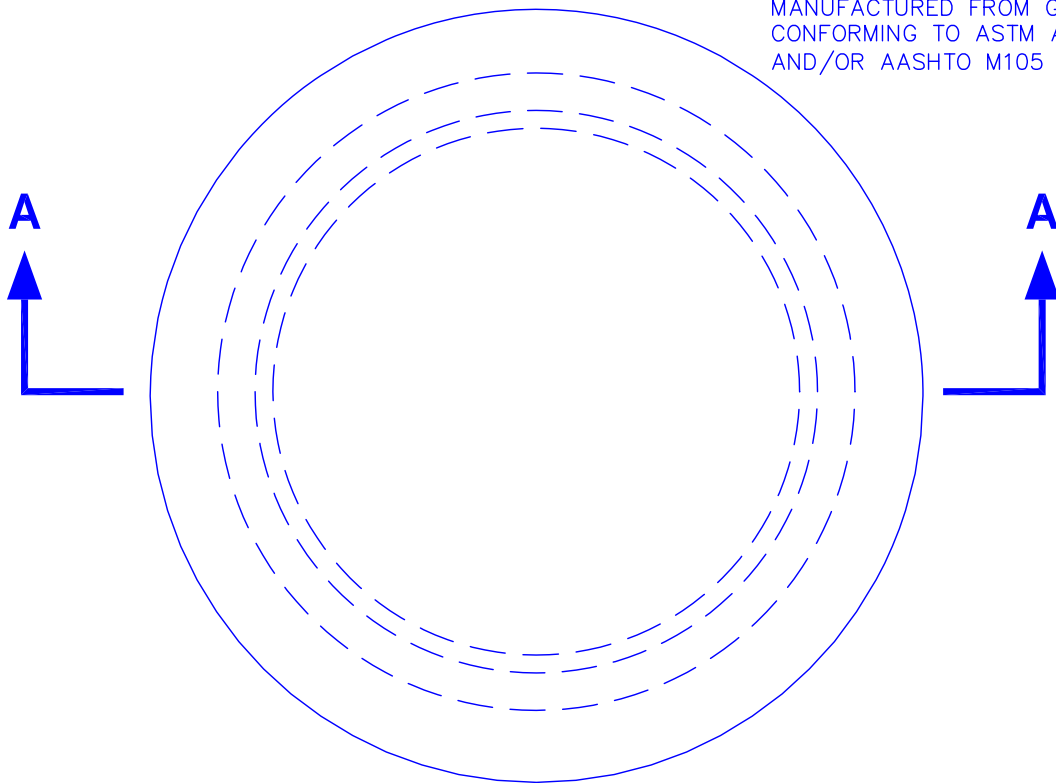
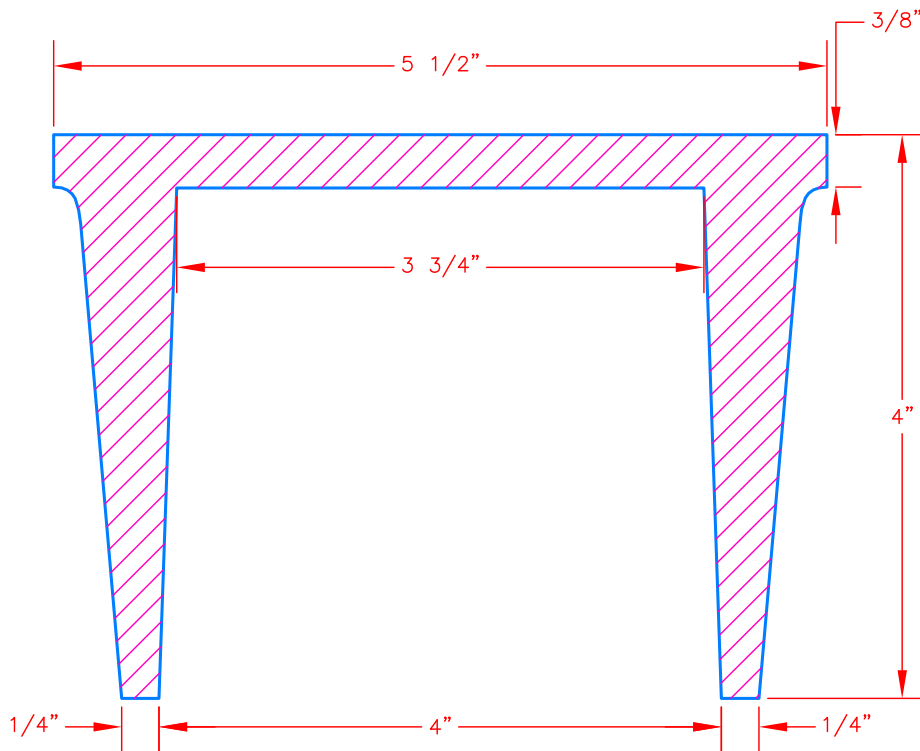


NOTE:

ALL CASTINGS SHALL BE
MANUFACTURED FROM GRAY IRON
CONFORMING TO ASTM A48 CLASS 35B
AND/OR AASHTO M105 CLASS 35B.



TOP VIEW



SECTION A-A

Location:Filename: V:\eng\ACAD_STD\Technical\Details\F - Castings\F-02 - Boston 1 and Half Inch Main Tube Cap.dwg
Plotted on: Thursday, January 23, 2014 - 9:20 AM by Donohoe, William



**Boston Water and
Sewer Commission**

980 HARRISON AVE., BOSTON, MA 02119
(617) 989-7000 www.bwsc.org

**BOSTON 1-1/2" MAIN TUBE CAP
NO. 99828384
Scale: Not To Scale**

DATE:
Jan. 14, 2014

DETAIL NO.
F-02