

NOTE:

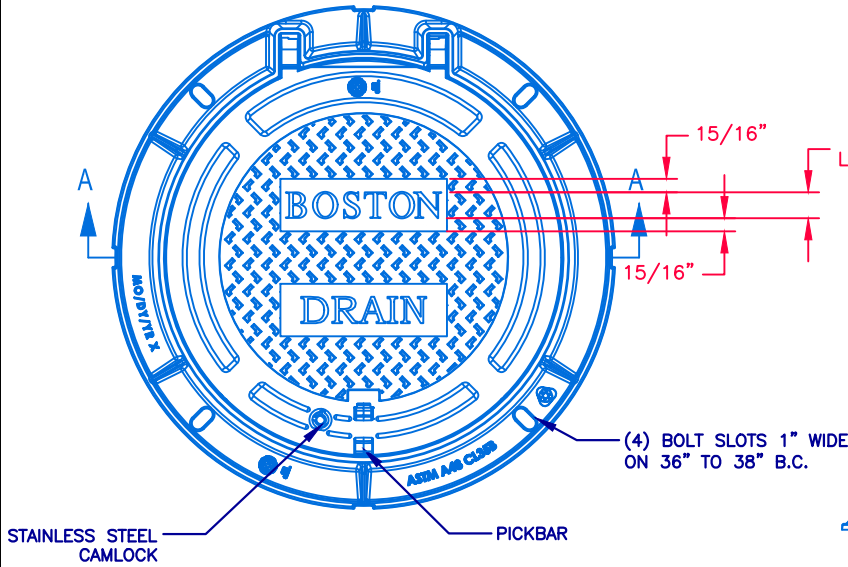
THE WORD "BOSTON DRAIN" OR "BOSTON SEWER" SHALL BE CUT ON SURFACE DRAIN COVER.

FONT:

"BOSTON DRAIN" OR "BOSTON SEWER" BOOKMAN OLD STYLE

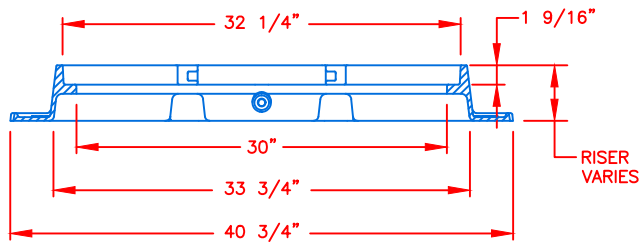
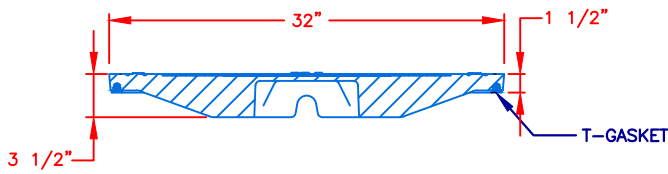
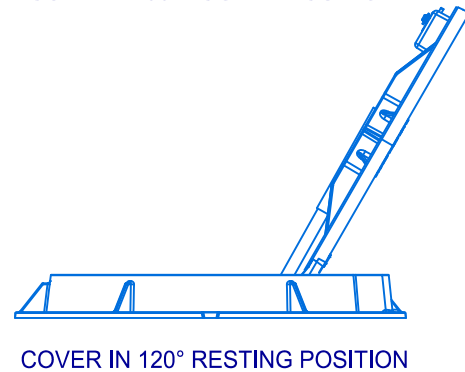
NOTE:

ALL CASTINGS SHALL BE MANUFACTURED FROM DUCTILE IRON CONFORMING TO ASTM A536 AND ASTM A48.



1 13/16"
LETTERING (TYP.)

CORROSION RESISTANT
STAINLESS STEEL
MECHANICAL STRUT



SECTION A-A

DRAIN MANHOLE FRAME AND COVER	
SIZE	RISER (H)
30"	4 1/2"
	8"

Location\Filename: V:\eng\ACAD_STD\Technical Details\F - Castings\F-11 - Hinged Manhole Frame and Cover (OPS).dwg
Plotted on: Wednesday, May 16, 2018 - 12:21 PM by Donohoe, William



Boston Water and Sewer Commission
980 HARRISON AVE., BOSTON, MA 02119
(617) 989-7000 www.bwsc.org

30-INCH DUCTILE IRON HINGED MANHOLE FRAME AND COVER

Scale: Not To Scale

DATE:
May 07, 2018

DETAIL NO.
F-11b