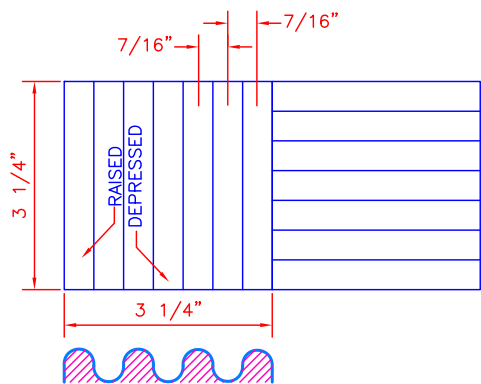
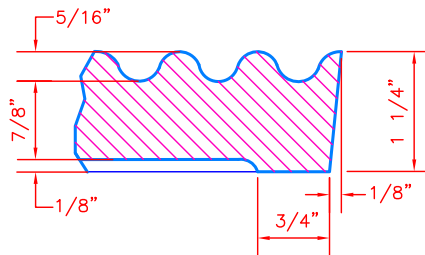


NOTE:

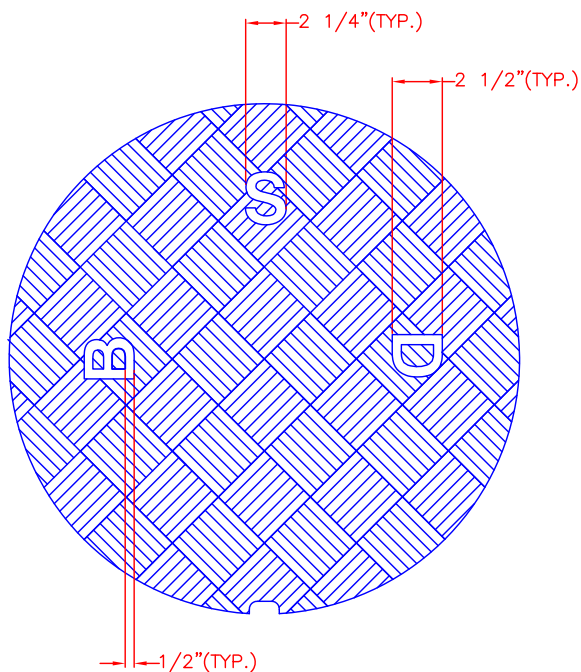
ALL CASTINGS SHALL BE MANUFACTURED FROM GRAY IRON CONFORMING TO ASTM A48 CLASS 35B AND/OR AASHTO M105 CLASS 35B..



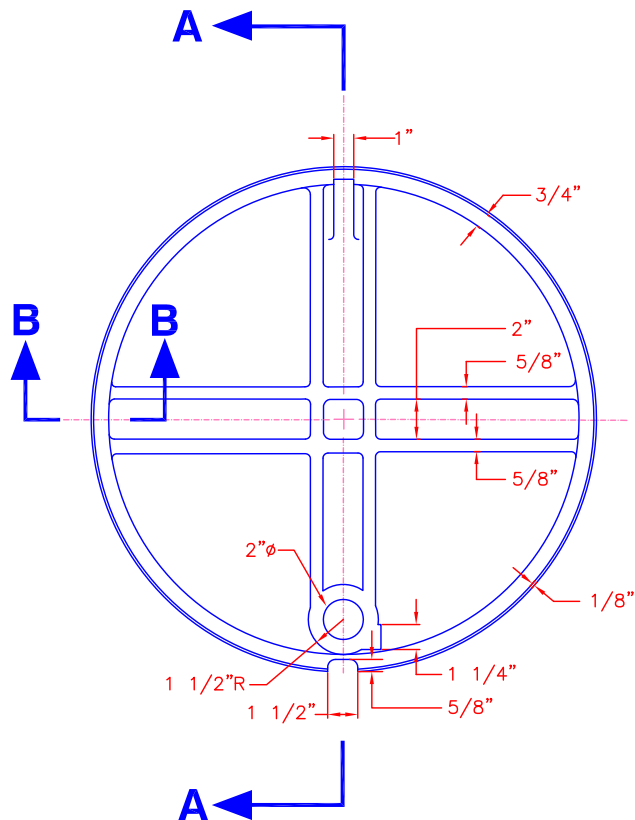
SURFACE DETAIL



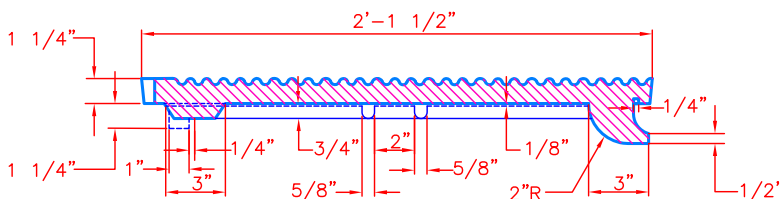
SECTION B - B



PLAN TOP OF COVER



PLAN BOTTOM OF COVER



SECTION A - A

Location:Filename: V:\eng\ACAD_STD\Technical Details\F - Castings\F1-D05 - Type A-3 Sidewalk Manhole Cover.dwg
Plotted on: Thursday, January 23, 2014 - 9:36 AM by Donohoe, William



Boston Water and Sewer Commission

980 HARRISON AVE., BOSTON, MA 02119
(617) 989-7000 www.bwsc.org

**TYPE A-3 SIDEWALK MANHOLE COVER
NO. 99870000**

Scale: Not To Scale

DATE:
Jan. 14, 2014

DETAIL NO.
F1-D05