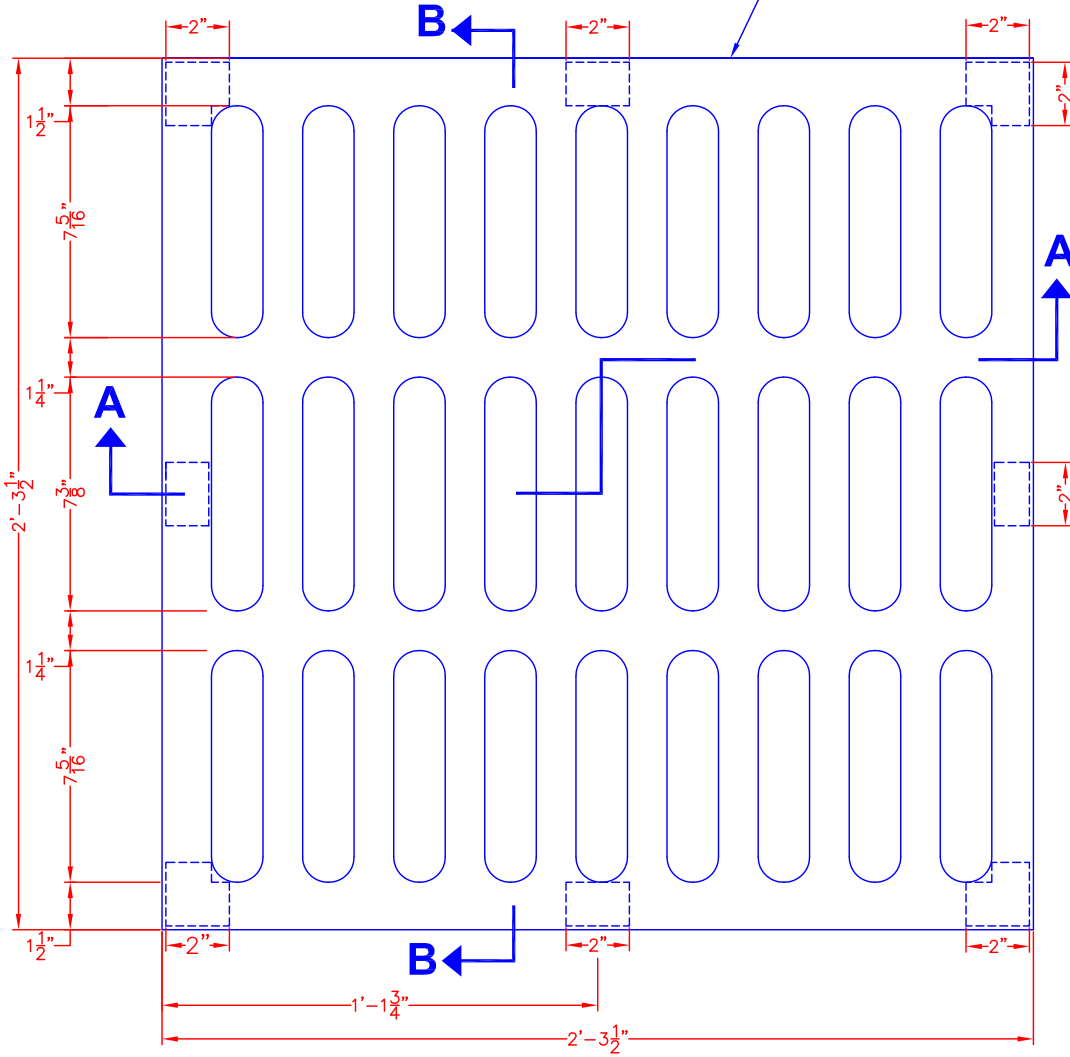


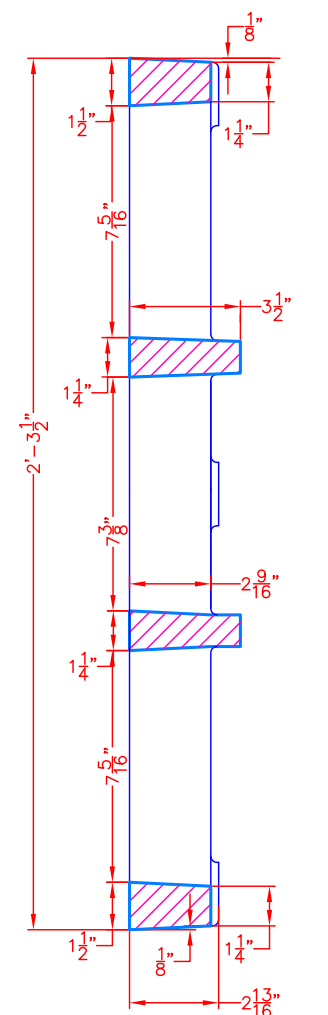
NOTE:

ALL CASTINGS SHALL BE
MANUFACTURED FROM GRAY IRON
CONFORMING TO ASTM A48 CLASS 35B
AND/OR AASHTO M105 CLASS 35B.

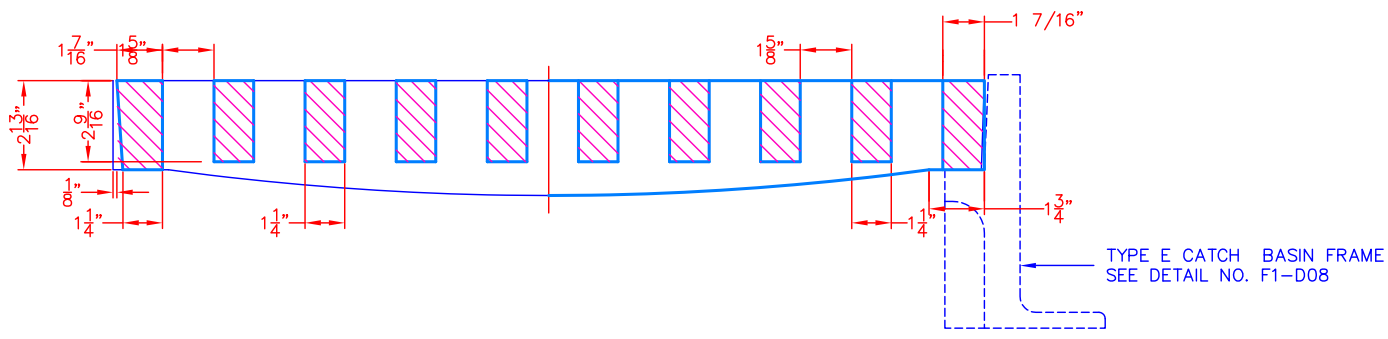
THIS EDGE PARALLEL TO
SIDEWALK



PLAN



SECTION B - B



SECTION A - A

TYPE E CATCH BASIN FRAME
SEE DETAIL NO. F1-D08

Location:Filename: V:\eng\ACAD_STD\Technical\Details\F - Castings\F1-D09 - Type E-1 Catch Basin Grate.dwg
Plotted on: Thursday, January 23, 2014 - 9:47 AM by Donohoe, William



**Boston Water and
Sewer Commission**
980 HARRISON AVE., BOSTON, MA 02119
(617) 989-7000 www.bwsc.org

**TYPE E-1 CATCH BASIN GRATE
NO.99970000**
Scale: Not To Scale

DATE:
JAN 17, 2014

DETAIL NO.
F1-D09