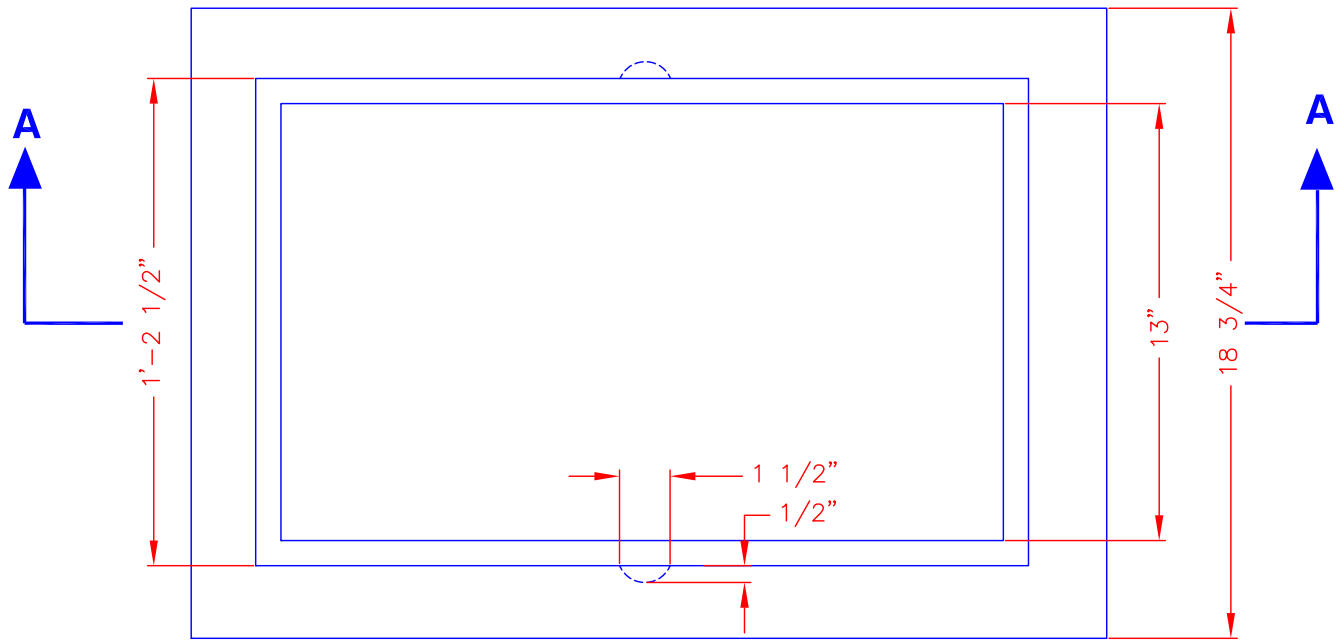
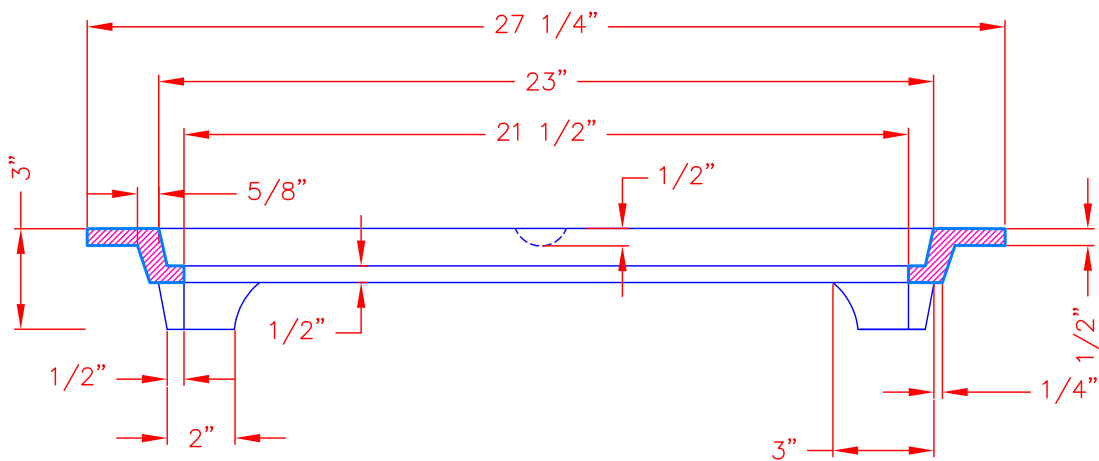


**NOTE:**  
 ALL CASTINGS SHALL BE  
 MANUFACTURED FROM GRAY IRON  
 CONFORMING TO ASTM A48 CLASS 35B  
 AND/OR AASHTO M105 CLASS 35B.



**PLAN**



**SECTION A-A**

Location:Filename: V:\eng\ACAD\_STD\Technical\Details\F - Castings\F1-D14 Light Meter Frame.dwg  
 Plotted on: Thursday, January 23, 2014 - 9:57 AM by Donohoe, William



**Boston Water and  
 Sewer Commission**

980 HARRISON AVE., BOSTON, MA 02119  
 (617) 989-7000 www.bwsc.org

**LIGHT METER FRAME**

Scale: Not To Scale

DATE:  
 JAN 17, 2014

DETAIL NO.  
**F1-D14**