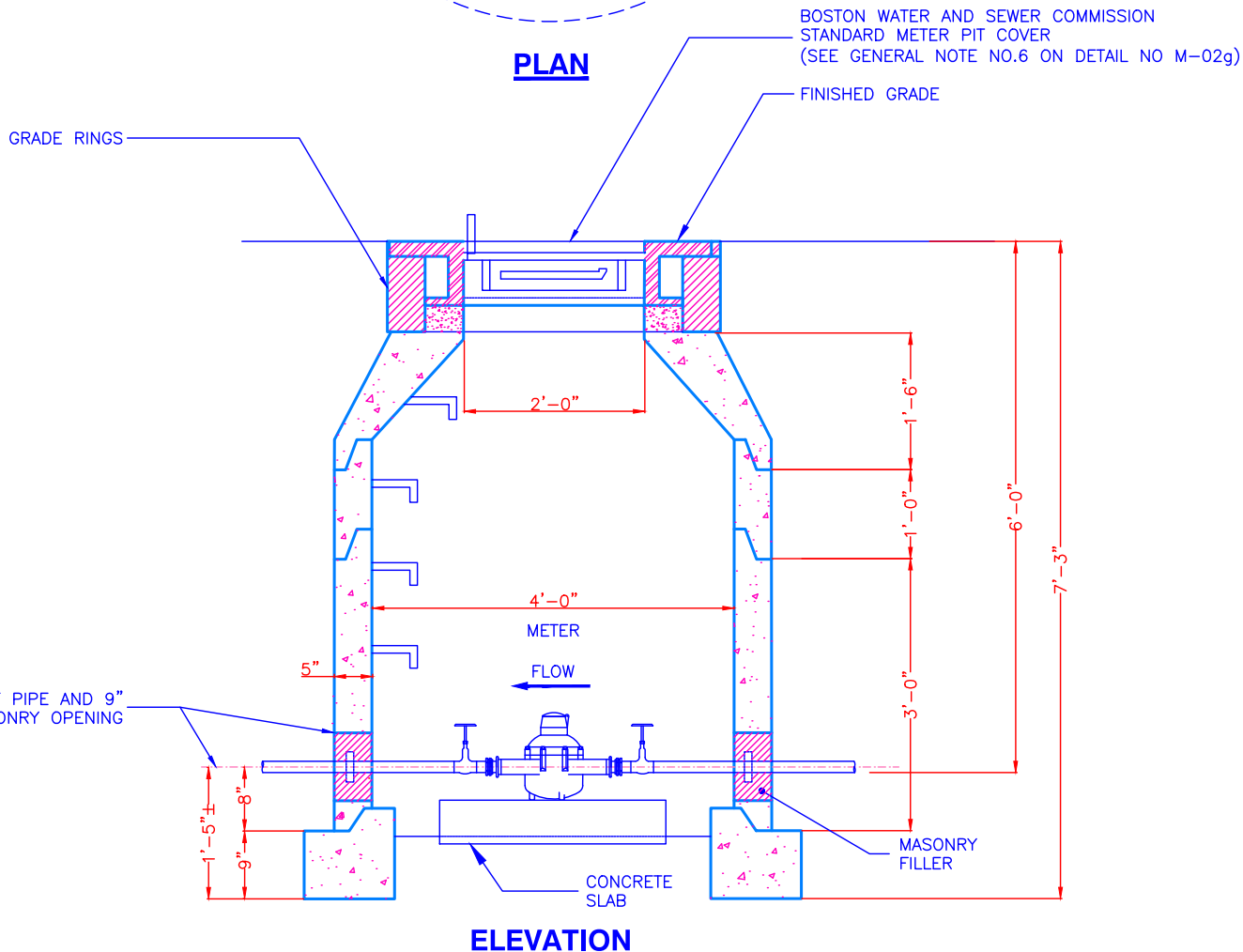


PLAN



ELEVATION

NOTE:

CONTRACTOR SHALL NOTIFY BWSC METER DEPT. TO DETERMINE IF METER CONDUIT MUST BE INSTALLED. IF REQUIRED THE CONTRACTOR SHALL SUPPLY THE WIRE AND INSTALL AS SPECIFIED.

INSTALLATION OF REMOTE READING DEVICES BY COMMISSION

Location\Filename: V:\eng\ACAD_STD\Technical Details\M - Meter Details\M-02 - Meter Pit Details.dwg
Plotted on: Tuesday, August 11, 2015 - 12:41 PM by Donchoe, William



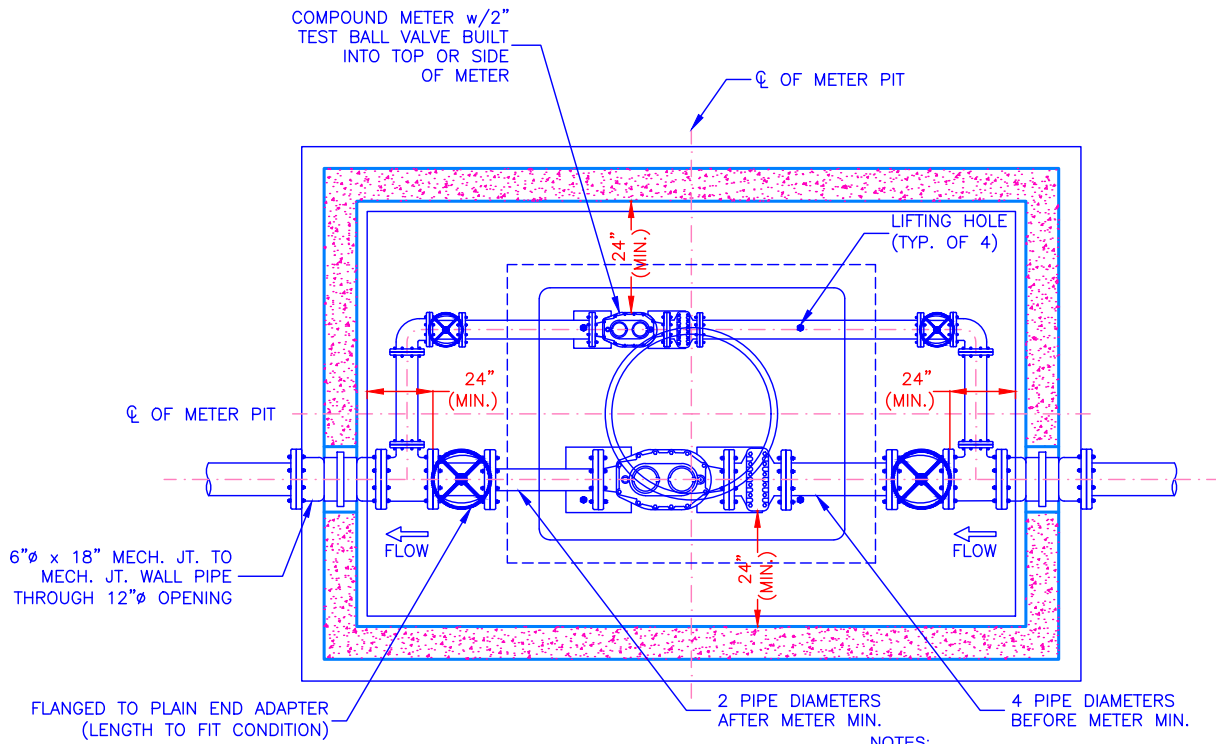
Boston Water and Sewer Commission
980 HARRISON AVE., BOSTON, MA 02119
(617) 989-7000 www.bwsc.org

METER PIT FOR UP TO 2-INCH METER

Scale: Not To Scale

DATE:
Sept. 30, 2012

DETAIL NO.
M-02a

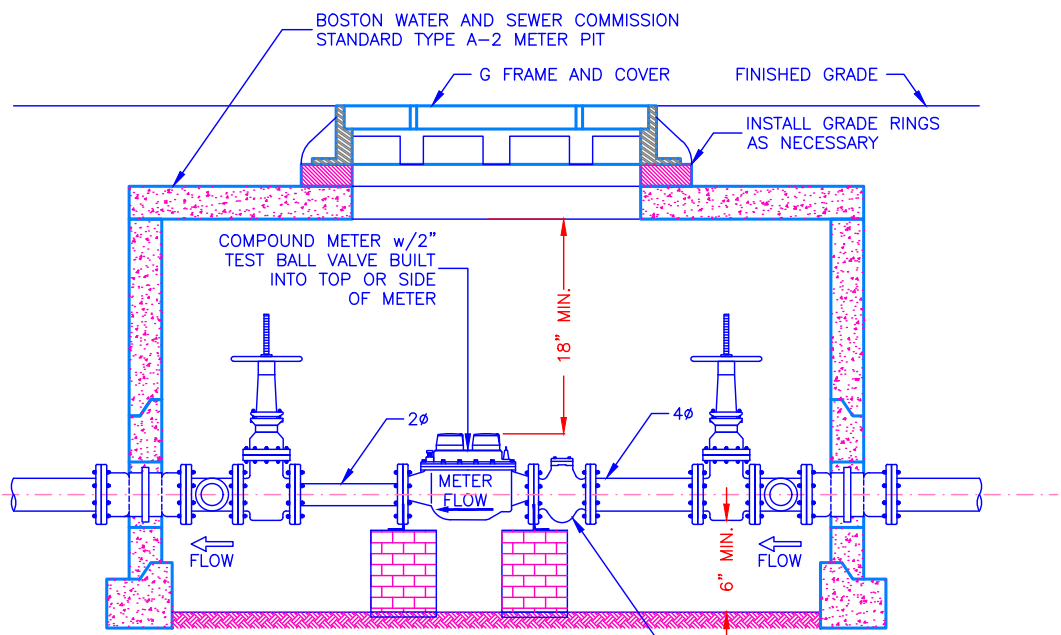


NOTES:

1. BY-PASS METER CAN BE 1 SIZE SMALLER THAN MAIN METER.
2. ALL GATES TO BE TEFLON COATED.
3. CONTRACTOR SHALL NOTIFY BWSC METER DEPT. TO DETERMINE IF METER CONDUIT MUST BE INSTALLED. IF REQUIRED THE CONTRACTOR SHALL SUPPLY THE WIRE AND INSTALL AS SPECIFIED.

PLAN

INSTALLATION OF REMOTE READING DEVICES BY COMMISSION



ELEVATION

ALL METERS MUST BE EQUIPPED WITH STRAINERS OF THE SAME MANUFACTURER AS THE METER

Location\Filename: V:\eng\ACAD_STD\Technical Details\M - Meter Details\M02 - Meter Pit Details.dwg
Plotted on: Tuesday, August 11, 2015 - 12:41 PM by Donchoe, William



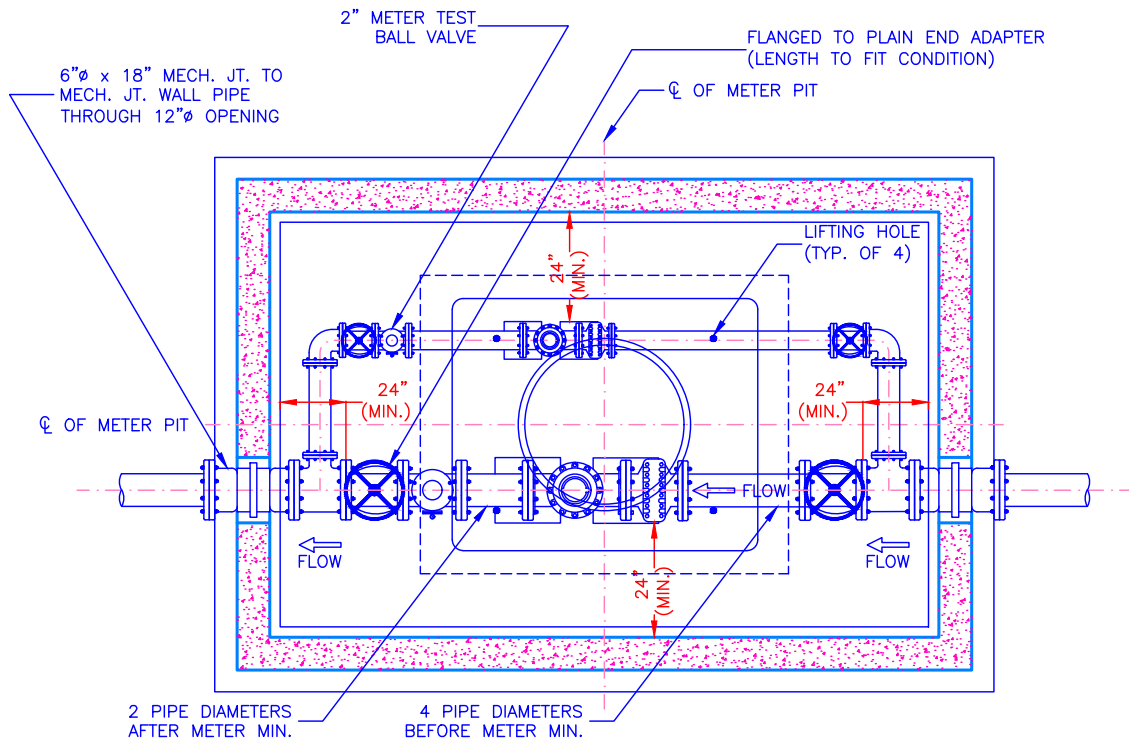
Boston Water and Sewer Commission
980 HARRISON AVE., BOSTON, MA 02119
(617) 989-7000 www.bwsc.org

METER PIT FOR 3, 4 AND 6-INCH COMPOUND METERS

Scale: Not To Scale

DATE:
July 15, 2015

DETAIL NO.
M-02b

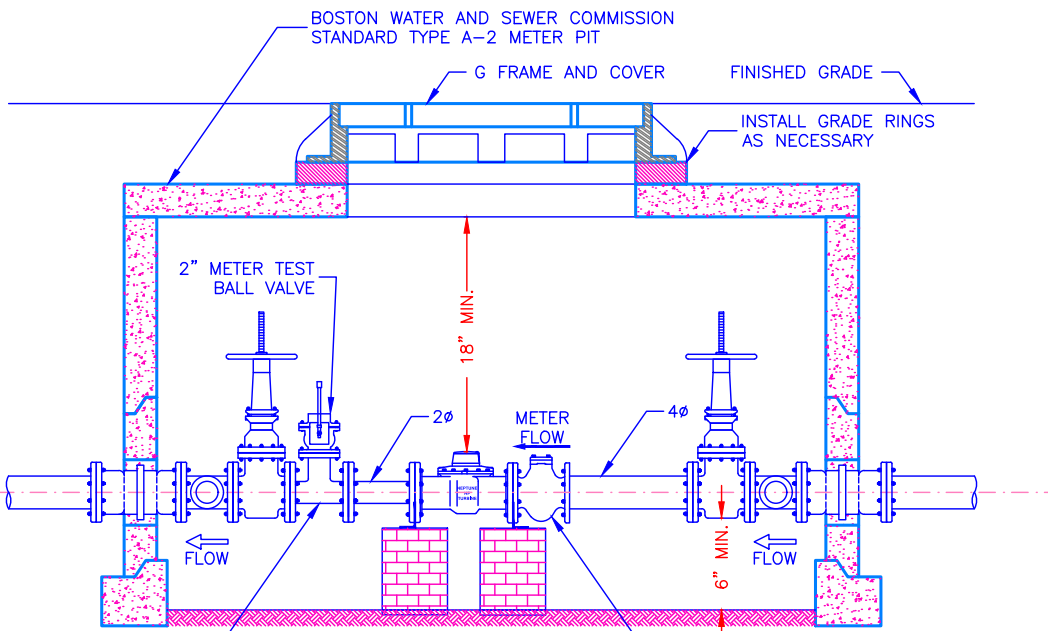


NOTES:

1. BY-PASS METER CAN BE 1 SIZE SMALLER THAN MAIN METER.
2. ALL GATES TO BE TEFLON COATED.
3. CONTRACTOR SHALL NOTIFY BWSC METER DEPT. TO DETERMINE IF METER CONDUIT MUST BE INSTALLED. IF REQUIRED THE CONTRACTOR SHALL SUPPLY THE WIRE AND INSTALL AS SPECIFIED.

PLAN

INSTALLATION OF REMOTE READING DEVICES BY COMMISSION



ELEVATION

ALL METERS MUST BE EQUIPPED WITH STRAINERS OF THE SAME MANUFACTURER AS THE METER



Boston Water and Sewer Commission

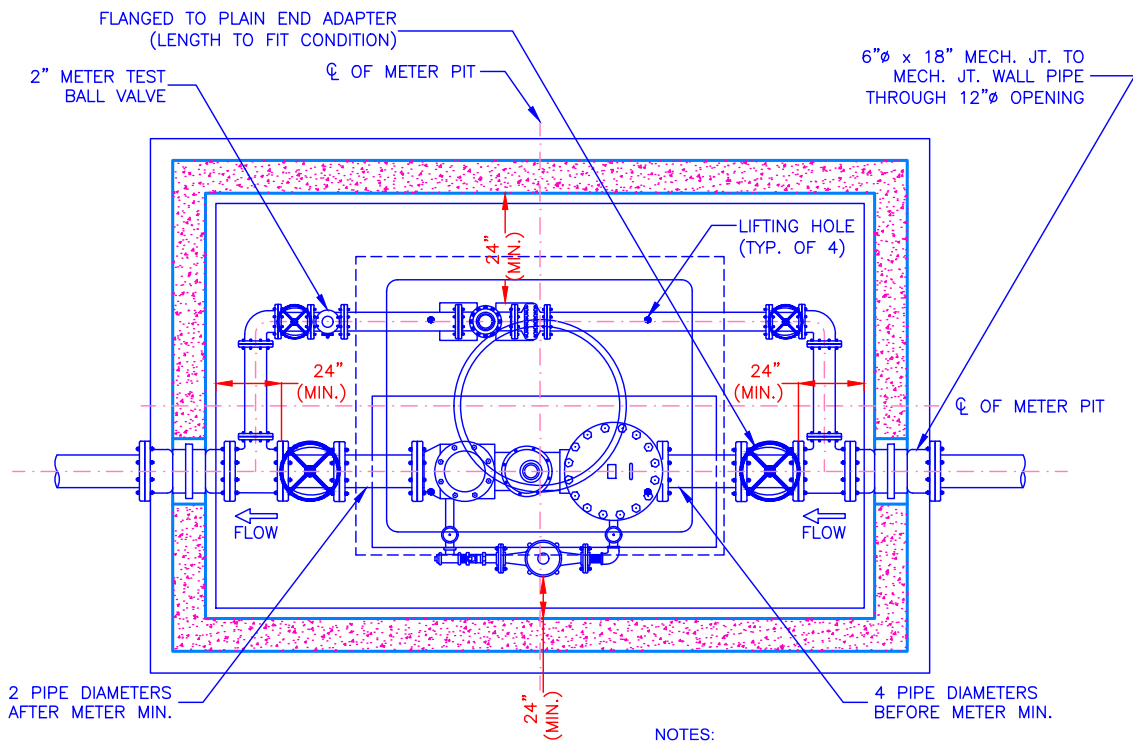
980 HARRISON AVE., BOSTON, MA 02119
(617) 989-7000 www.bwsc.org

METER PIT FOR 3, 4, 6, 8 AND 10-INCH TURBINE METERS

Scale: Not To Scale

DATE:
July 15, 2015

DETAIL NO.
M-02c

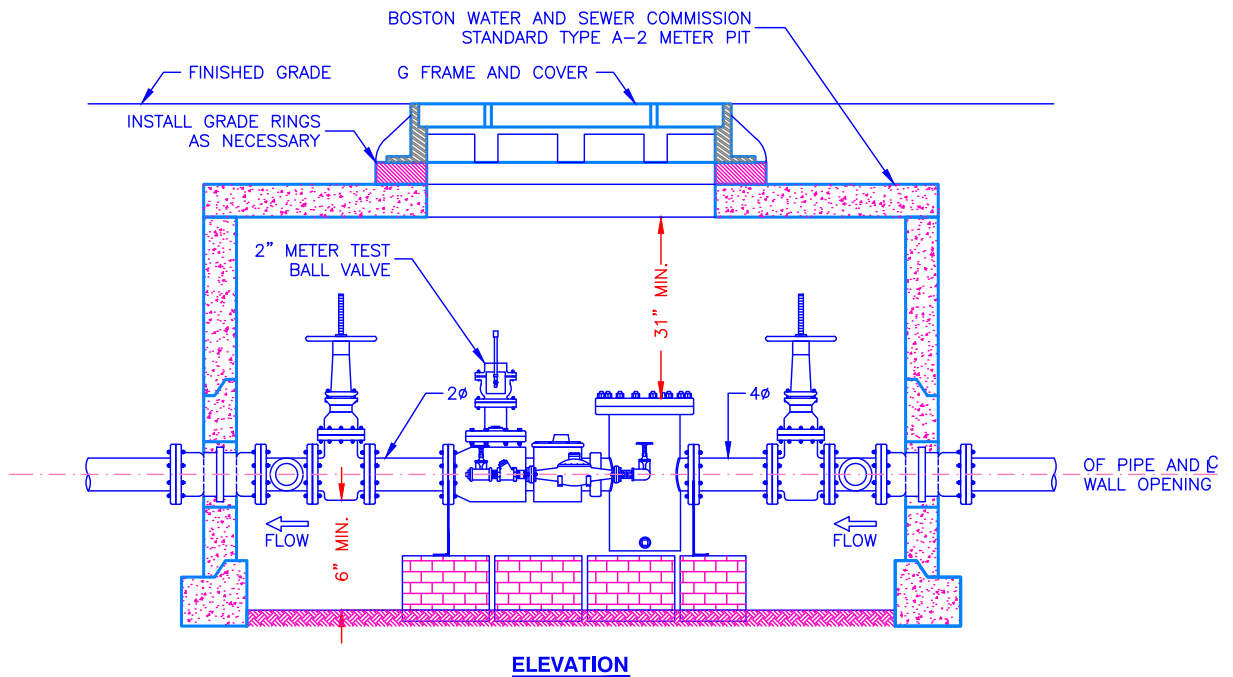


NOTES:

1. BY-PASS METER CAN BE 1 SIZE SMALLER THAN MAIN METER.
2. ALL GATES TO BE TEFLON COATED.
3. CONTRACTOR SHALL NOTIFY BWSC METER DEPT. TO DETERMINE IF METER CONDUIT MUST BE INSTALLED. IF REQUIRED THE CONTRACTOR SHALL SUPPLY THE WIRE AND INSTALL AS SPECIFIED.

PLAN

INSTALLATION OF REMOTE READING DEVICES BY COMMISSION



ELEVATION

Location:Filename: V:\eng\ACAD_STD\Technical Details\M - Meter Details\M02 - Meter Pit Details.dwg
 Plotted on: Tuesday, August 11, 2015 - 12:41 PM by Donchoe, William



Boston Water and Sewer Commission

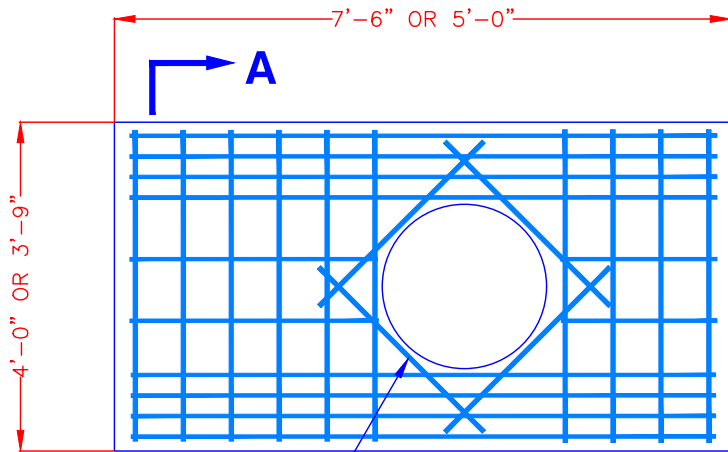
980 HARRISON AVE., BOSTON, MA 02119
 (617) 989-7000 www.bwsc.org

METER PIT FOR 4, 6, 8 AND 10-INCH FIRE FLOW METERS

Scale: Not To Scale

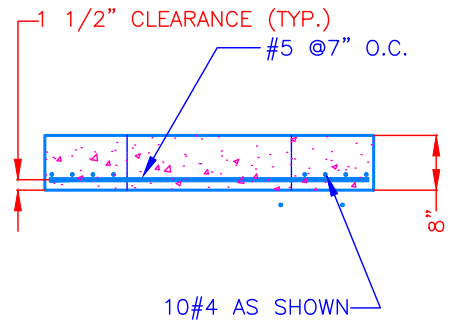
DATE:
 July 15, 2015

DETAIL NO.
M-02d

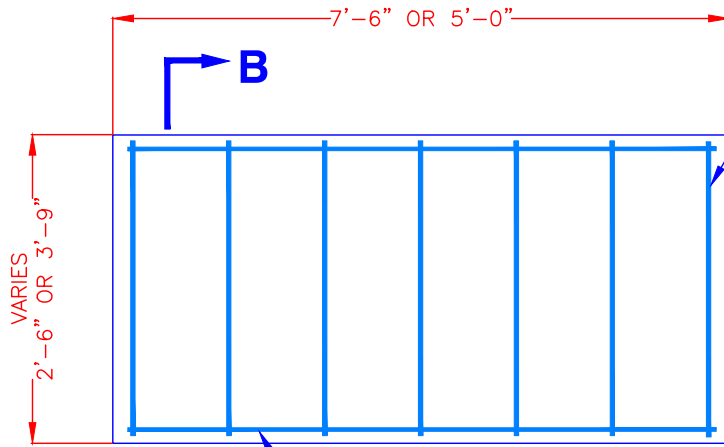


2-#5 EACH SIDE (TOTAL 8)
1 TOP LAYER, 1 BOTT., EACH SIDE

PLAN

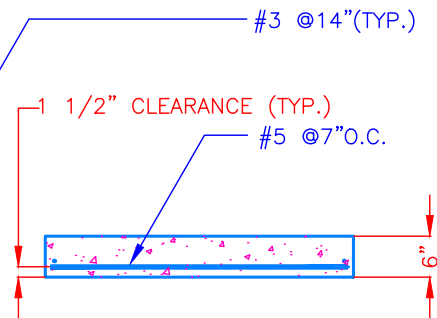


SECTION A-A



9#4(3'-9" WIDE PANEL)
8#4(3'-6" WIDE PANEL)
7#4(3'-0" WIDE PANEL)
6#4(2'-6" WIDE PANEL)

PLAN



SECTION B-B

NOTE:
PROVIDE LIFTING HOOKS
1 EACH END IF REQUIRED
(MIN. 1/2" DIA. BAR) PANELS
MUST ONLY BE LIFTED FROM
ENDS

Location\Filename: V:\eng\ACAD_STD\Technical Details\M - Meter Details\M02 - Meter Pit Details.dwg
Plotted on: Tuesday, August 11, 2015 - 12:41 PM by Donchoe, William



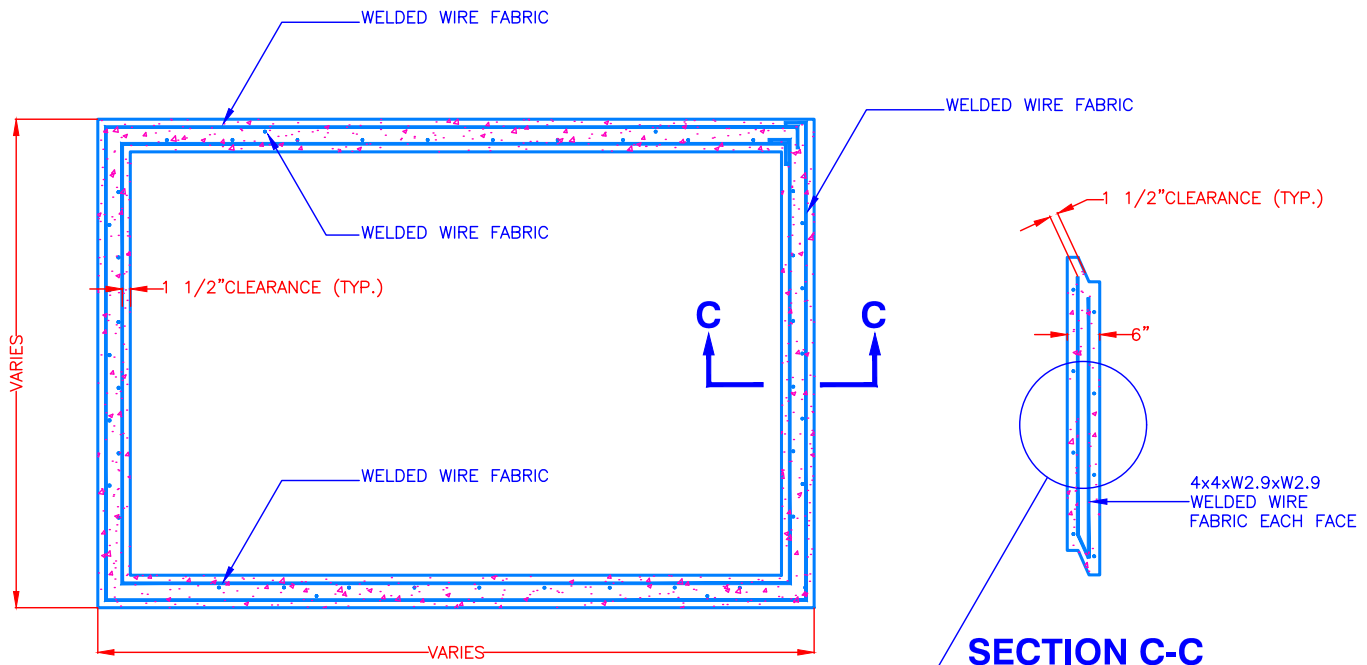
**Boston Water and
Sewer Commission**
980 HARRISON AVE., BOSTON, MA 02119
(617) 989-7000 www.bwsc.org

**REINFORCING DETAILS FOR METER PITS
(1 of 2)**

Scale: Not To Scale

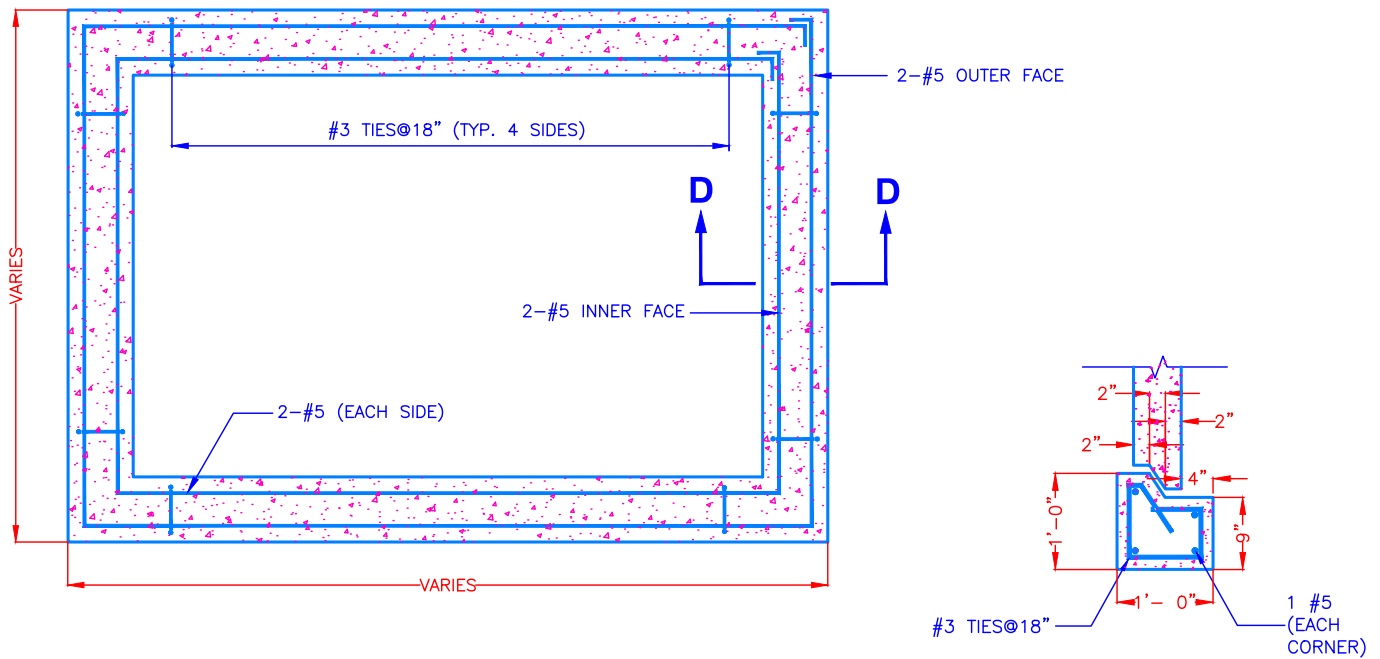
DATE:
Sept. 30, 2012

DETAIL NO.
M-02e



NOTE:
RELOCATE THESE BARS
AS REQUIRED TO AVOID
OPENING

PLAN OF WALL REINFORCING



PLAN OF FOOTING REINFORCING

SECTION D-D

Location:Filename: V:\eng\ACAD_STD\Technical Details\M - Meter Details\M-02 - Meter Pit Details.dwg
Plotted on: Tuesday, August 11, 2015 - 12:41 PM by Donchoe, William



Boston Water and Sewer Commission
980 HARRISON AVE., BOSTON, MA 02119
(617) 989-7000 www.bwsc.org

REINFORCING DETAILS FOR METER PITS (2 of 2)

Scale: Not To Scale

DATE:
Sept. 30, 2012

DETAIL NO.
M-02f

GENERAL NOTES:

1. DETAILS SHOWN TO ACCOMMODATE TWO DIFFERENT SIZE METERS ARE DRAWN FOR THE LARGER SIZE. IF USED FOR SMALLER SIZE METER, THE PROPER SIZE SLEEVES AND OTHER NECESSARY ADAPTATION WILL HAVE TO BE MADE TO SUIT THE METER PIT DIMENSIONS.
2. MAKE FLANGE TO PLAIN END ADAPTER PIECES SLIGHTLY SHORTER THAN REQUIRED TO ALLOW FOR SOME SLIDING OF ADAPTER PIECES INTO MECHANICAL JOINT WALL PIPE WHEN FLANGES AT METER ARE DISCONNECTED FOR REMOVAL OR INSTALLATION OF METER.
3. AFTER INSTALLING MECHANICAL JOINT WALL PIPES WITH CENTER RING FLANGE IN THE MIDDLE OF MASONRY OPENING, AND AFTER ALL PIPING HAS BEEN ALIGNED AND CONNECTED, CAULK THE SPACE BETWEEN WALL PIPE AND MASONRY WITH OAKUM AND A CEMENT MORTAR GROUT.
4. ALL CONCRETE USED IN CONSTRUCTION OF THESE METER PITS TO BE OF 3000 P.S.I. WITH A MAXIMUM AGGREGATE SIZE OF $\frac{3}{4}$ "
5. REINFORCING STEEL BARS ARE TO BE DEFORMED BARS OF NEW BILLET STEEL—GRADE 6
6. METER PIT COVERS SHALL BE A2424 HALLIDAY PRODUCT OR EQUAL. PEDESTRIAN TRAFFIC COVERS SHALL BE SD300 RATED WITH LIFTING SPRINGS. VEHICULAR TRAFFIC COVERS SHALL BE H20 RATED WITH LIFTING SPRINGS.

Location\Filename: V:\eng\ACAD_STD\Technical Details\M - Meter Details\M-02 - Meter Pit Details.dwg
Plotted on: Tuesday, August 11, 2015 - 12:41 PM by Donchoe, William



**Boston Water and
Sewer Commission**

980 HARRISON AVE., BOSTON, MA 02119
(617) 989-7000 www.bwsc.org

METER PIT DETAILS GENERAL NOTES

Scale: Not To Scale

DATE:
Sept. 30, 2012

DETAIL NO.
M-02g