

5'-6" (TYPICAL)

WATER MAIN
≥12"

Location:Filename: V:\eng\ACAD_STD\Technical Details\A - Water Details\A-11 - Typical Water Connection for 1-1/2 and 2 inch Service Pipes.dwg
Plotted on: Thursday, November 20, 2014 - 2:44 PM by Donohoe, William



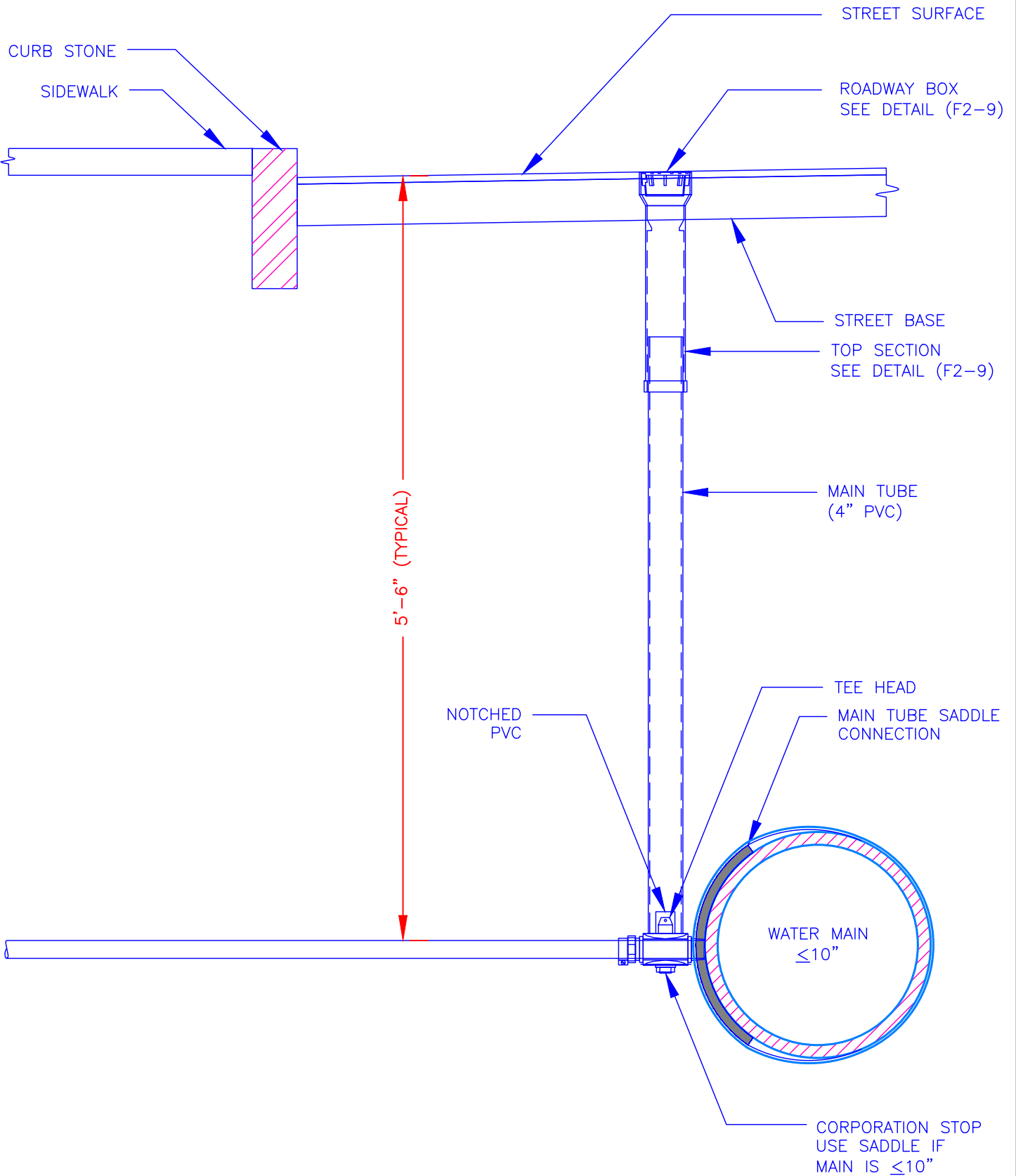
Boston Water and Sewer Commission

980 HARRISON AVE., BOSTON, MA 02119
(617) 989-7000 www.bwsc.org

TYPICAL WATER CONNECTION FOR 1-1/2 AND 2-INCH SERVICE PIPES TO 12"-16" WATER MAINS
Scale: Not To Scale

DATE:
Nov 20, 2014

DETAIL NO.
A-11a



Location\Filename: V:\eng\ACAD_STD\Technical Details\A - Water Details\A-11 - Typical Water Connection for 1-1/2 and 2 inch Service Pipes.dwg
 Plotted on: Thursday, November 20, 2014 - 2:44 PM by Donobos, William



Boston Water and Sewer Commission
 980 HARRISON AVE., BOSTON, MA 02119
 (617) 989-7000 www.bwsc.org

TYPICAL WATER CONNECTION FOR 1-1/2 AND 2-INCH SERVICE PIPES TO 4"-10" WATER MAINS
 Scale: Not To Scale

DATE:
 Nov 20, 2014

DETAIL NO.
A-11b