

NOTE:
 OVERLAY BY OTHERS WILL BE 1-1/4" AT
 CENTERLINE TAPERING TO 1" AT CURBLINE

Location/Name: V:\eng\ACAD_STD\Technical Details\B - Sewer Details\B-01a - Catch Basin Adjustment to Grade.dwg
 Plotted on: Monday, October 21, 2013 - 11:46 AM by Lallemand, Jacques



**Boston Water and
 Sewer Commission**

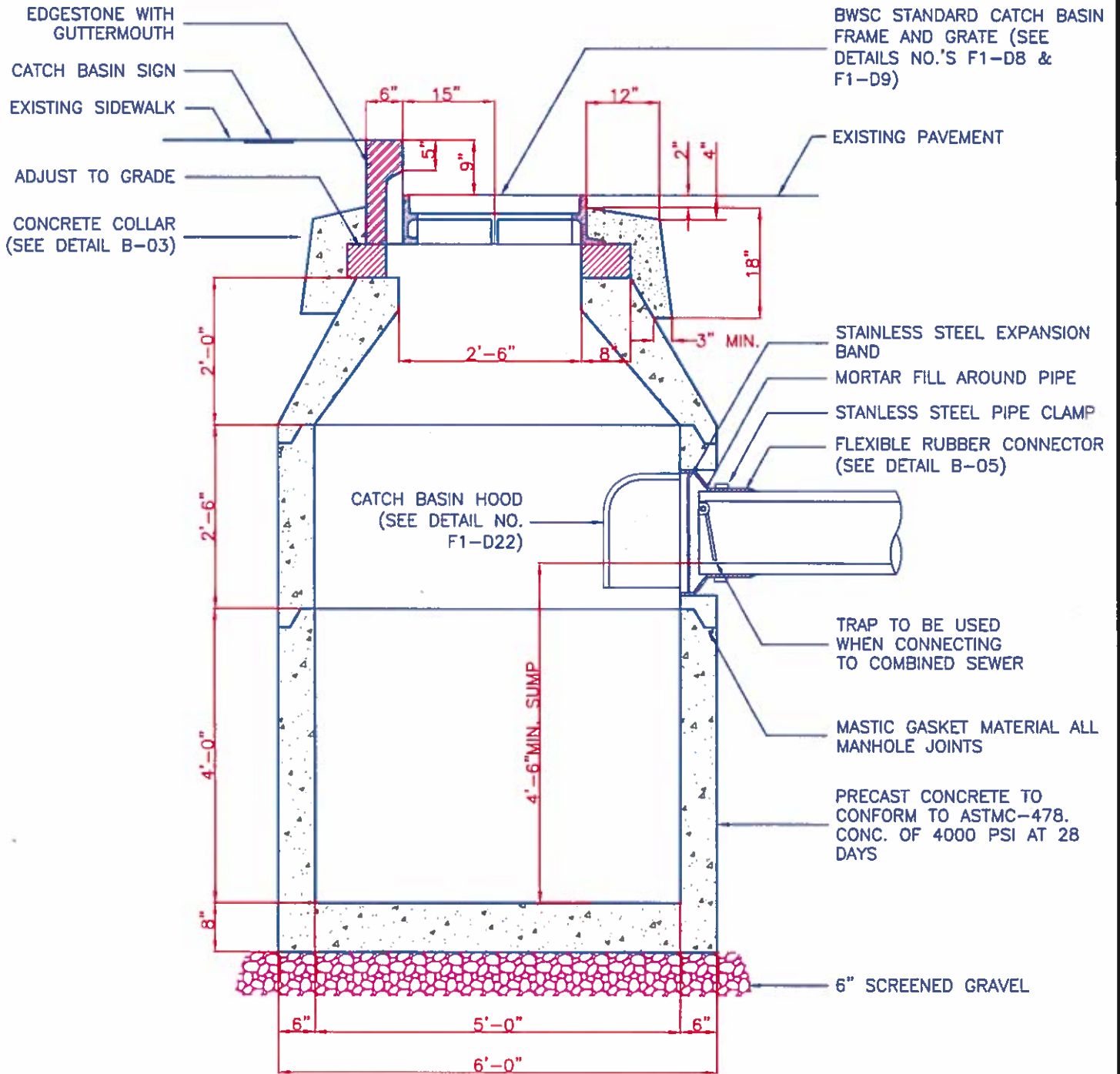
980 HARRISON AVE., BOSTON, MA 02119
 (617) 989-7000 www.bwsc.org

CATCH BASIN ADJUSTMENT TO GRADE

Scale: Not To Scale

DATE:
 Oct. 21, 2013

DETAIL NO.
 B-01a



Location: Filesname: V:\eng\ACAD_STD\Technical DetailsB - Sewer DetailsB-01b - Standard Catch Basin No 5 .dwg
 Printed on: Monday, October 21, 2013 - 12:15 PM by Lallemand, Jacques



Boston Water and Sewer Commission
 980 HARRISON AVE., BOSTON, MA 02119
 (617) 989-7000 www.bwsc.org

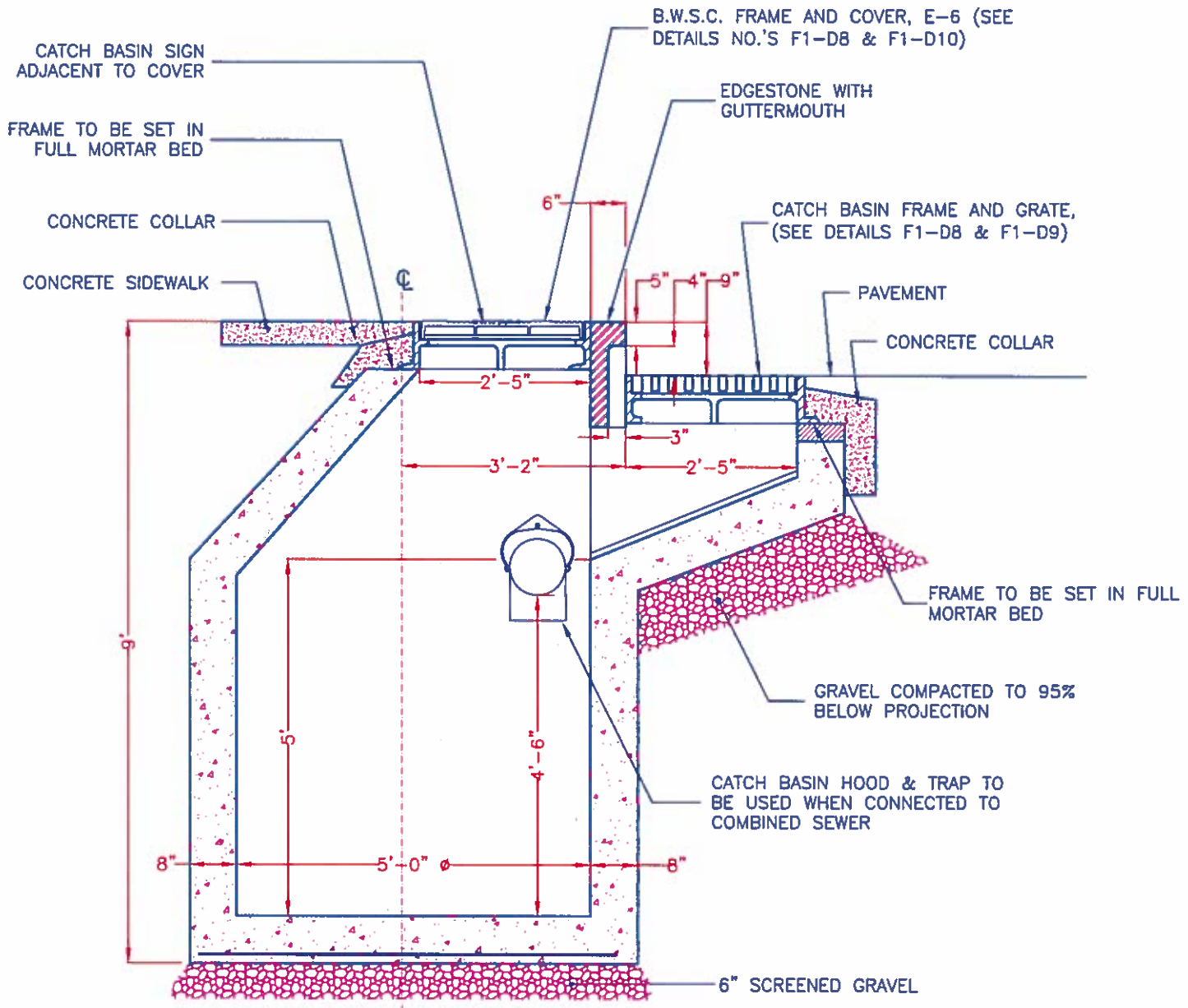
STANDARD CATCH BASIN NO. 5

Scale: Not To Scale

DATE:
 Oct. 21, 2013

DETAIL NO.
B-01b

Location\Filename: Y:\eng\ACAD_STD\Technical Details\B - Sewer Details\B-01c - Standard Catch Basin No 13 .dwg
 Plotted on: Monday, October 21, 2013 - 12:42 PM by Lallemand, Jacques



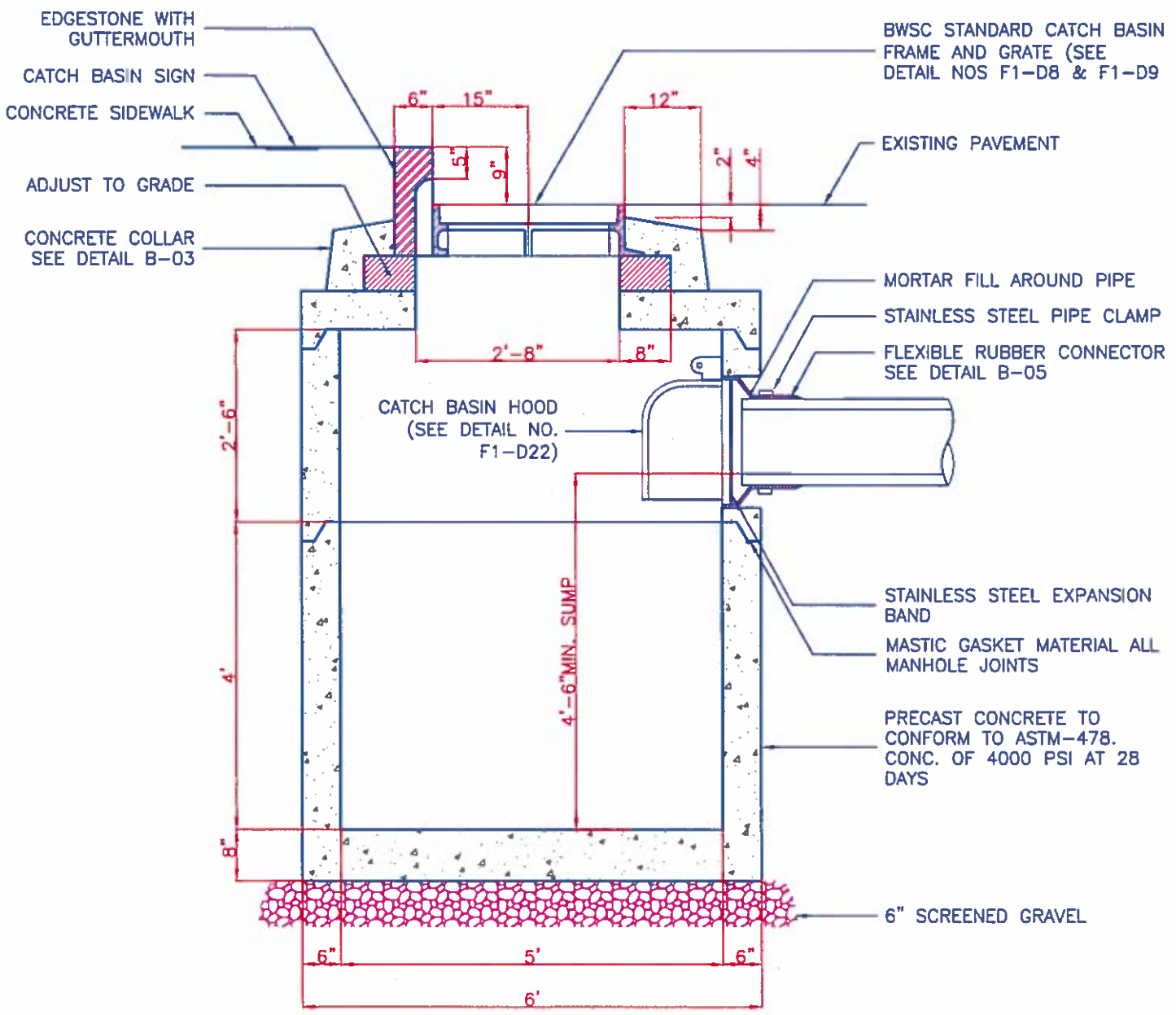
Boston Water and Sewer Commission
 980 HARRISON AVE., BOSTON, MA 02119
 (617) 989-7000 www.bwsc.org

STANDARD CATCH BASIN NO. 13

Scale: Not To Scale

DATE: Oct. 21, 2013
 DETAIL NO. B-01c

Location\Filename: V:\eng\ACAD_STD\Technical Details\B - Sewer Details\B-01d - Shallow Catch Basin.dwg
 Plotted on: Monday, October 21, 2013 - 12:50 PM by Lallemand, Jacques



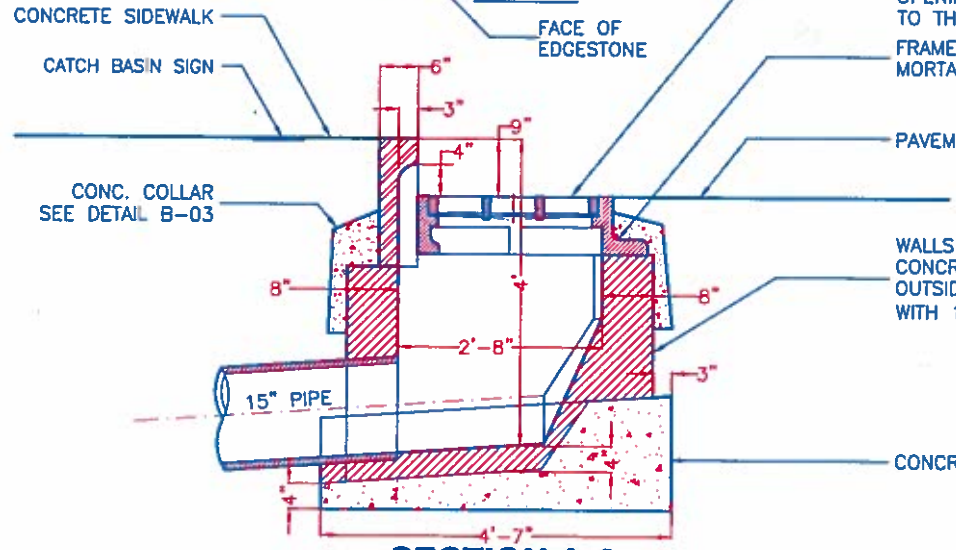
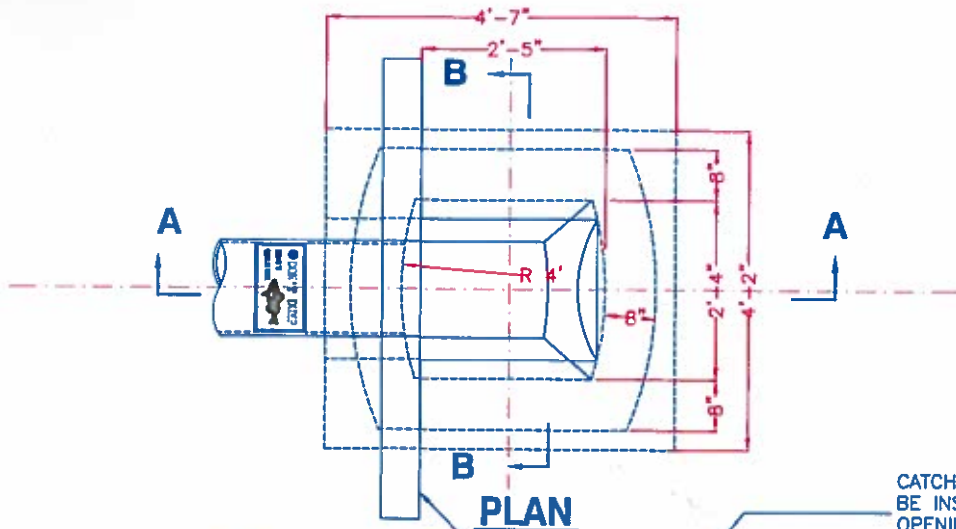
Boston Water and Sewer Commission
 980 HARRISON AVE., BOSTON, MA 02119
 (617) 989-7000 www.bwsc.org

SHALLOW CATCH BASIN

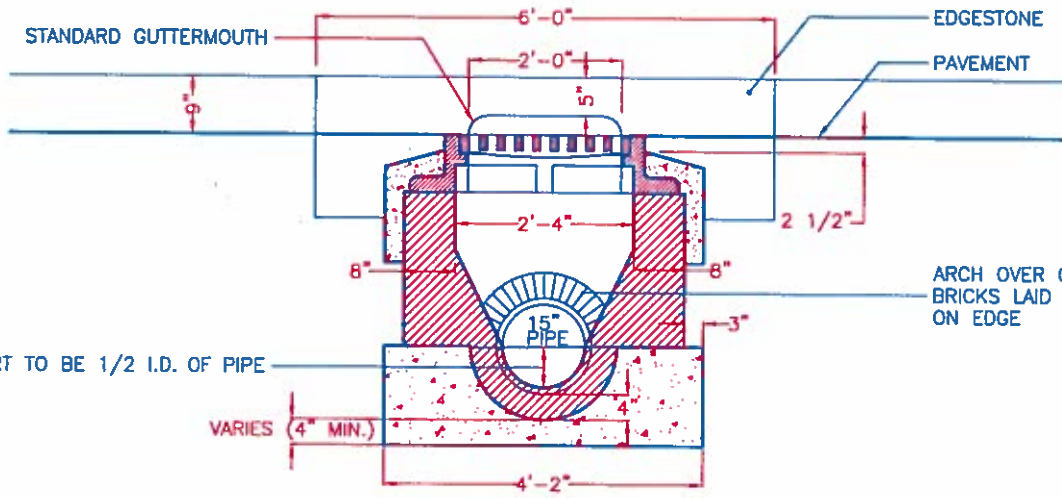
DATE: Oct. 21, 2013
 DETAIL NO. B-01d

Scale: Not To Scale

Location\Filename: V:\eng\ACAD_STD\Technical Details\B - Sewer Details\For Chisholm\B-01e - Drop Inlet with Guttermouth.dwg
 Plotted on: Friday, April 21, 2017 - 11:58 AM by Devin Denton



CATCH BASIN GRATE MUST BE INSTALLED WITH SLOT OPENINGS PERPENDICULAR TO THE SIDEWALK
 FRAME TO BE SET IN FULL MORTAR BED
 PAVEMENT
 WALLS TO BE BRICK OR CONCRETE BLOCK. OUTSIDE FACE TO BE PLASTERED WITH 1\"/>



ARCH OVER OUTLET PIPE WITH BRICKS LAID AS HEADERS AND ON EDGE

INVERT TO BE 1/2 I.D. OF PIPE
 VARIES (4\"/>

SECTION B-B



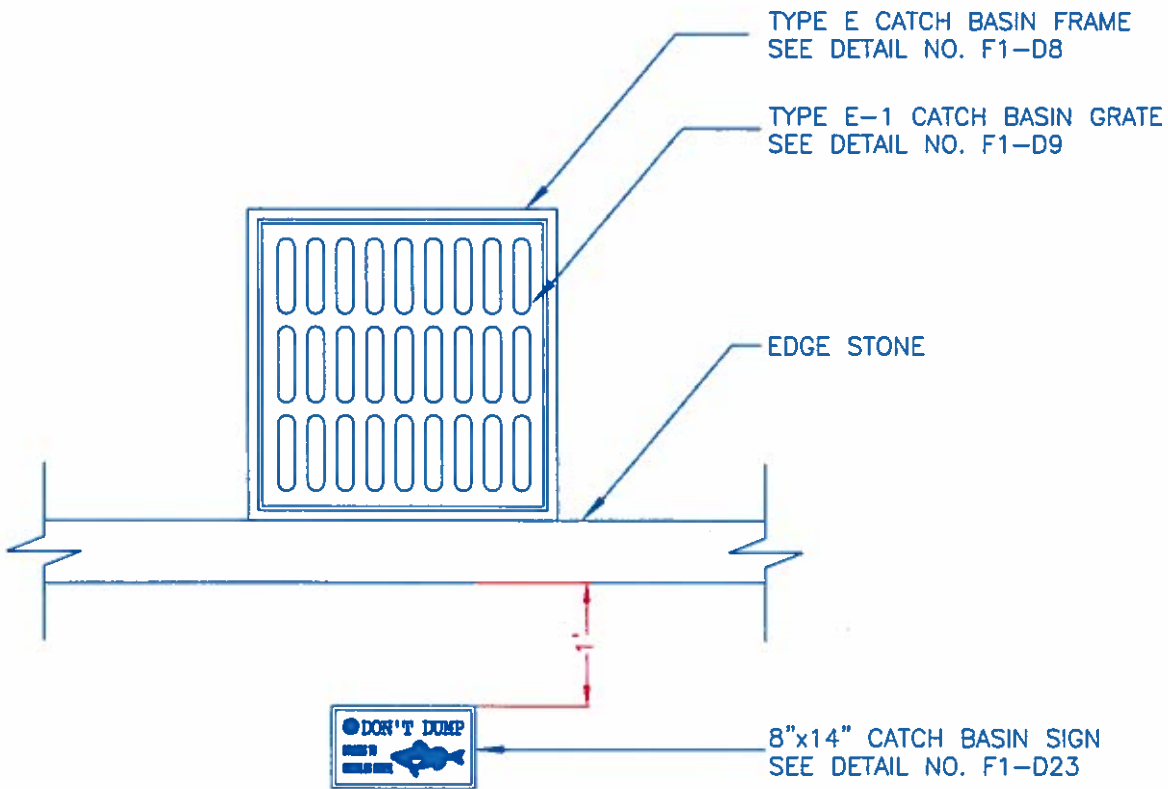
Boston Water and Sewer Commission
 980 HARRISON AVE. BOSTON, MA 02119
 (617) 989-7000 www.bwsc.org

DROP INLET WITH GUTTERMOUTH

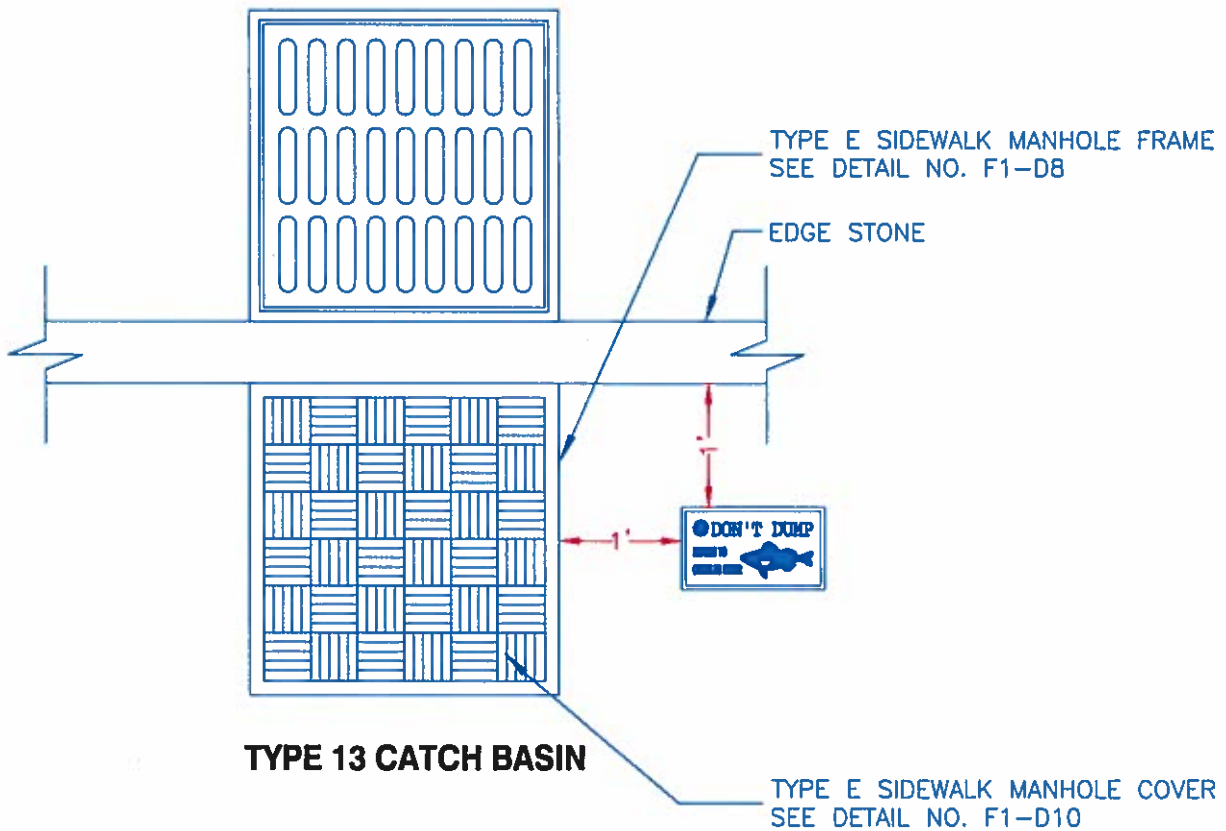
Scale: Not To Scale

DATE:
 Apr. 21, 2017

DETAIL NO.
B-01e



STANDARD CATCH BASIN



TYPE 13 CATCH BASIN

Location\Filename: V:\eng\ACAD_STDY\Technical Details\B - Sewer Details\F1-D11 - Catch Basin Sign Installation.dwg
 Plotted on: Tuesday, January 15, 2013 - 11:48 AM by Devin Denise



**Boston Water and
Sewer Commission**

980 HARRISON AVE., BOSTON, MA 02119
(617) 989-7000 www.bwsc.org

CATCH BASIN SIGN INSTALLATION

Scale: Not To Scale

DATE:
June 30, 2012

DETAIL NO.
B-01f

BWSC STANDARD
CATCH BASIN
FRAME AND GRATE

EXISTING PAVEMENT

CONCRETE COLLAR

MORTAR FILL AROUND PIPE

PVC TEE OR
APPROVED
EQUAL

STAINLESS STEEL
PIPE CLAMP

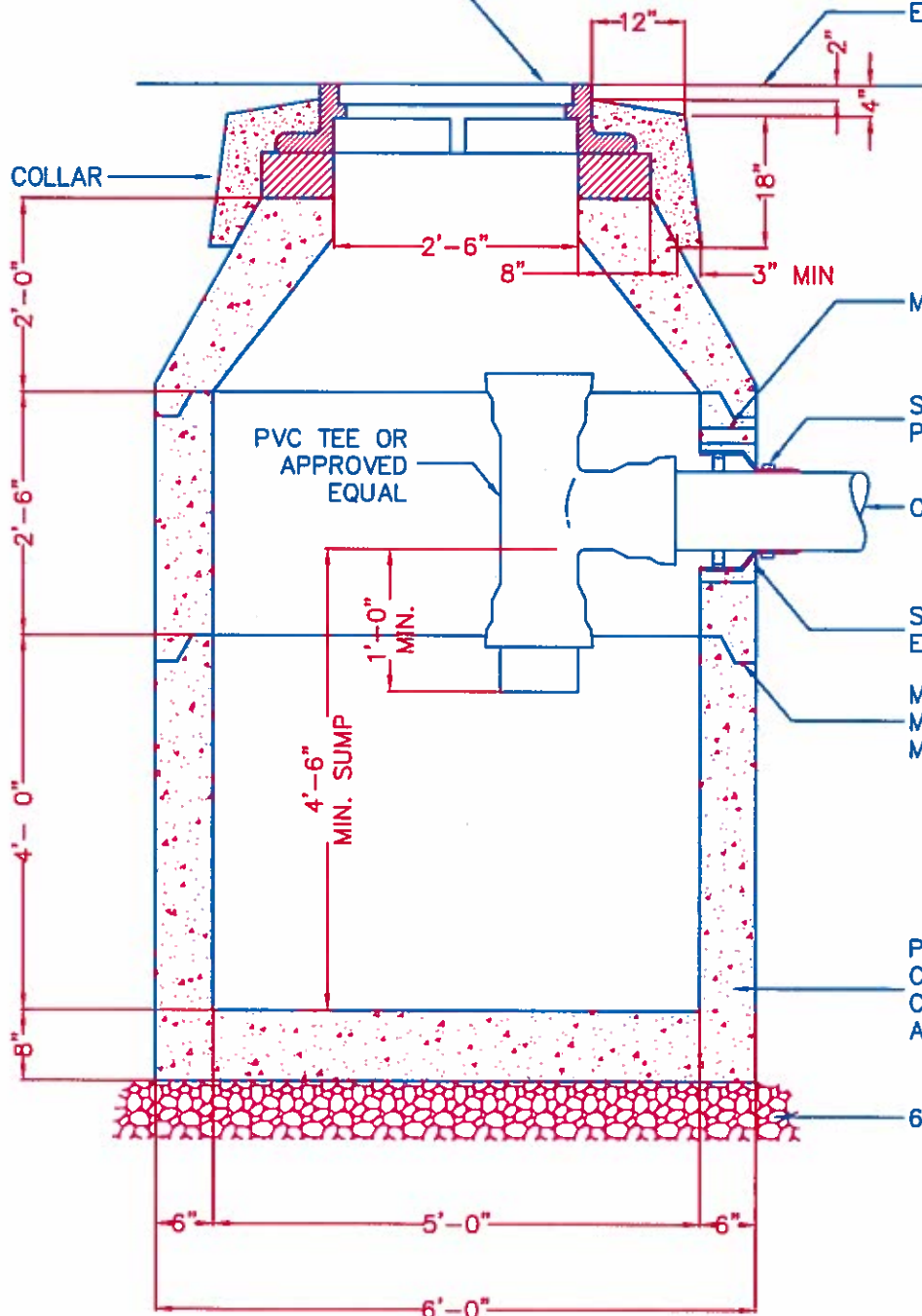
OUTLET PIPE

STAINLESS STEEL
EXPANSION BAND

MASTIC GASKET
MATERIAL ALL
MANHOLE JOINTS

PRECAST CONC. TO
CONFORM TO ASTM C-478,
CONC. OF 4000 PSI
AT 28 DAYS

6" SCREENED GRAVEL



Location: V:\eng\ACAD_STDY\Technical Details\B - Sewer Details\FOR CHIN\B - Sewer Details\FOR CHIN\B-01g - Catch Basin Details\Fig - Catch Basin with Oil Trap Outlet.dwg
Plotted on: Tuesday, January 15, 2013 - 11:38 AM by Devin Davis



**Boston Water and
Sewer Commission**
980 HARRISON AVE., BOSTON, MA 02119
(617) 989-7000 www.bwsc.org

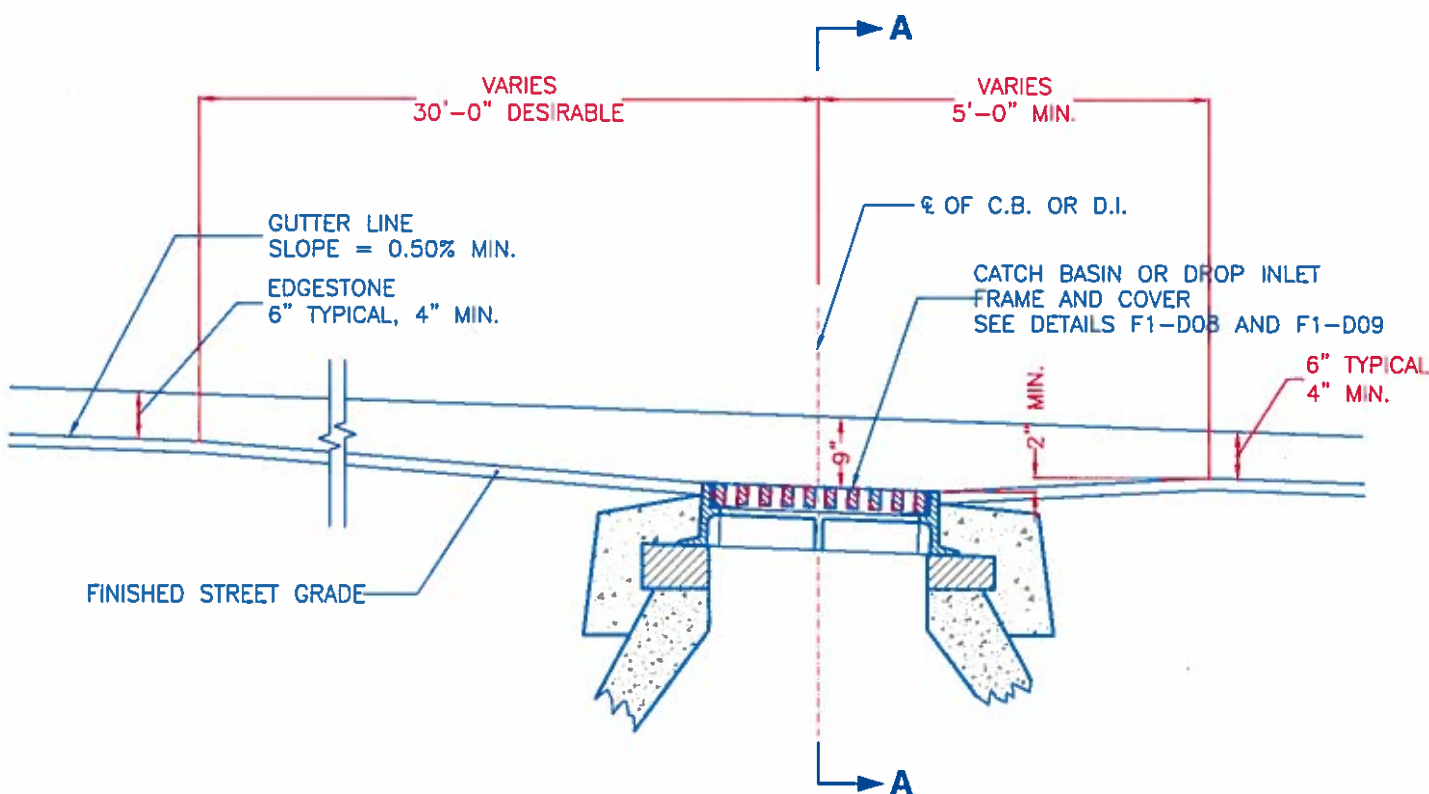
CATCH BASIN WITH OIL TRAP OUTLET

Scale: Not To Scale

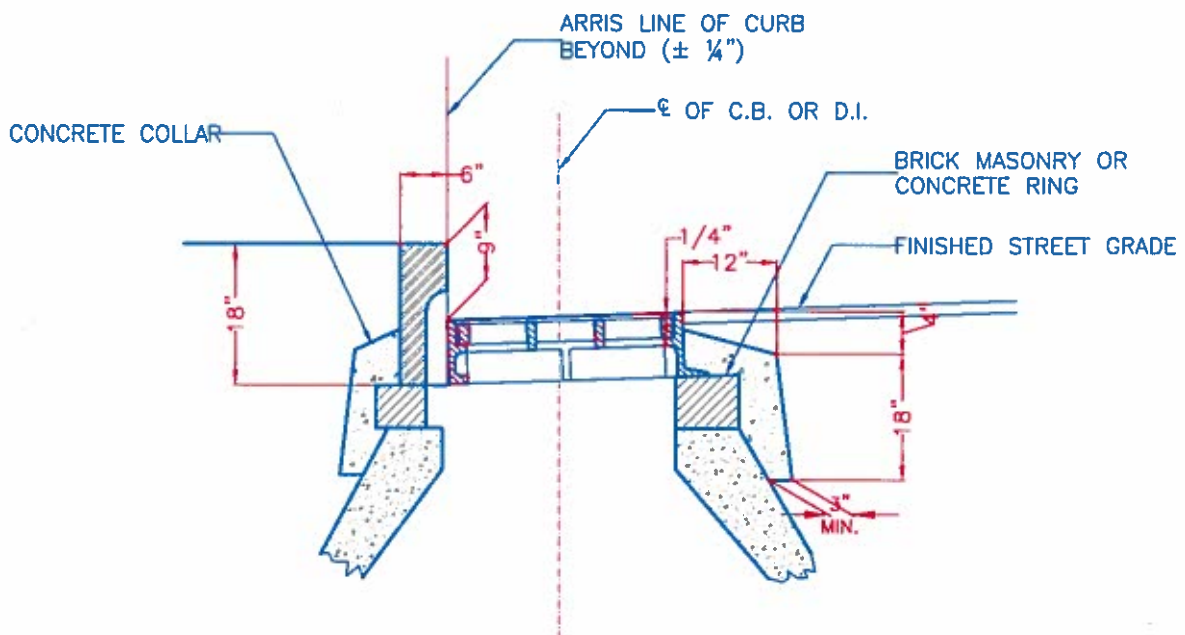
DATE:
June 30, 2012

DETAIL NO.
B-01g

Location\Filename: V:\eng\CAD_STDI\Technical DetailsB - Sewer Details\F1-Catch Basin DetailsB-01h - Tolerances for Setting Catch Basin and Curb Inlet Frame.dwg
 Plotted on Tuesday, January 15, 2013 - 11:49 AM by User:JGentile



PROFILE ALONG GUTTER LINE



SECTION A-A



Boston Water and Sewer Commission
 980 HARRISON AVE. BOSTON, MA 02119
 (617) 989-7000 www.bwsc.org

TOLERANCES FOR SETTING CATCH BASIN AND CURB INLET FRAME
 Scale: Not To Scale

DATE:
 June 30, 2012

DETAIL NO.
B-01h