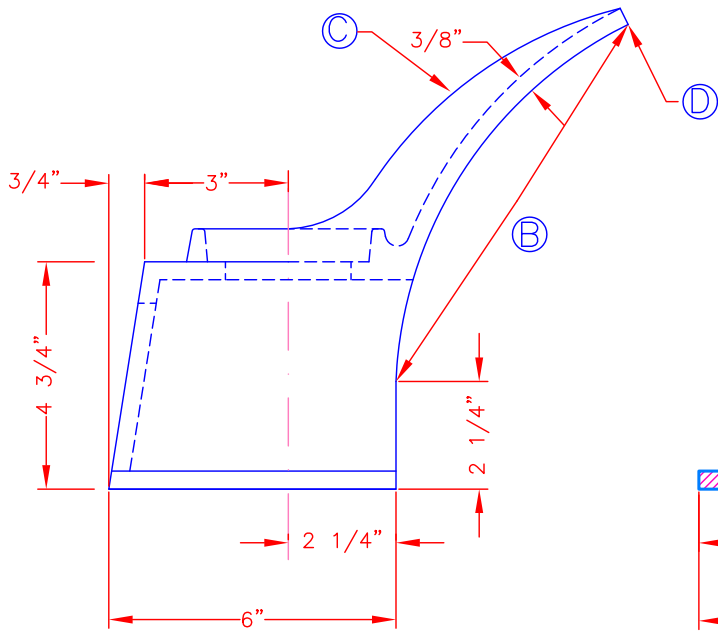
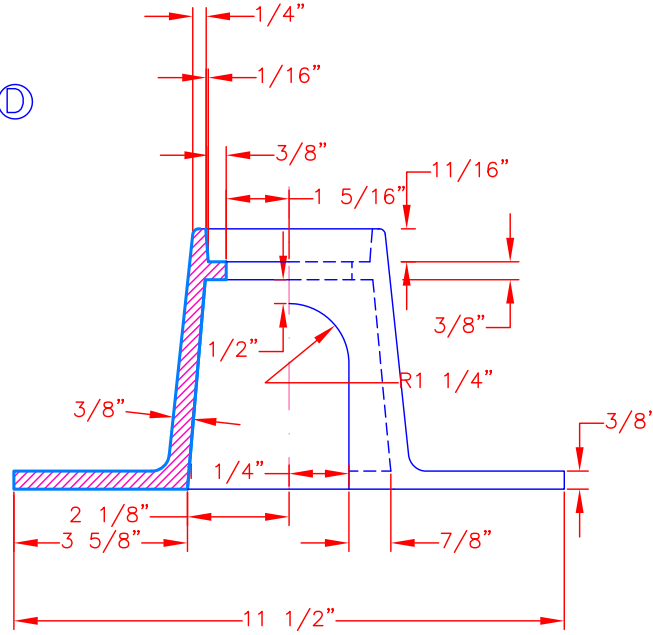


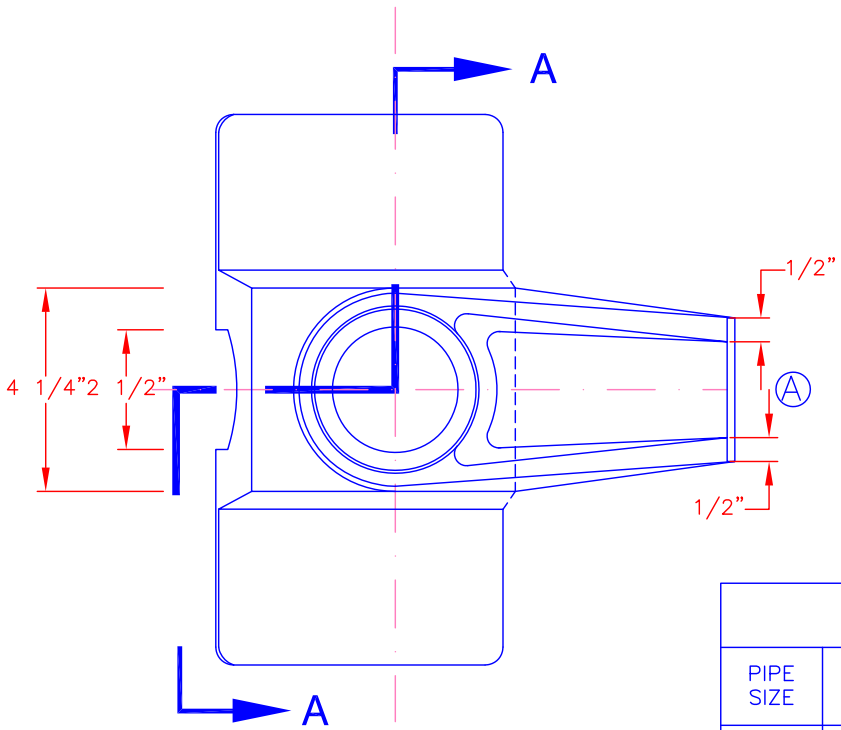
NOTE:
 ALL CASTINGS SHALL BE MANUFACTURED FROM GRAY IRON CONFORMING TO ASTM A48 CLASS 35B AND/OR AASHTO M105 CLASS 35B.



ELEVATION



SECTION A - A



PLAN

SCHEDULE				
PIPE SIZE	(A)	(B)	(C)	(D)
8"	2-5/8"	5-11/16"	5"	4-9/16"R
12"	2"	7-13/32"	9-1/2"	6-5/8"R
16"	2"	9"	9-1/2"	8-3/4"R

Location:Filename: V:\eng\ACAD_STD\Technical\Details\F - Castings\F-04 - 1-and Half Inch Main Shoe.dwg
 Plotted on: Thursday, January 23, 2014 - 9:23 AM by Donohoe, William



Boston Water and Sewer Commission
 980 HARRISON AVE., BOSTON, MA 02119
 (617) 989-7000 www.bwsc.org

ONE AND HALF INCH MAIN SHOE

Scale: Not To Scale

DATE:
 Jan. 14, 2014

DETAIL NO.
F-04