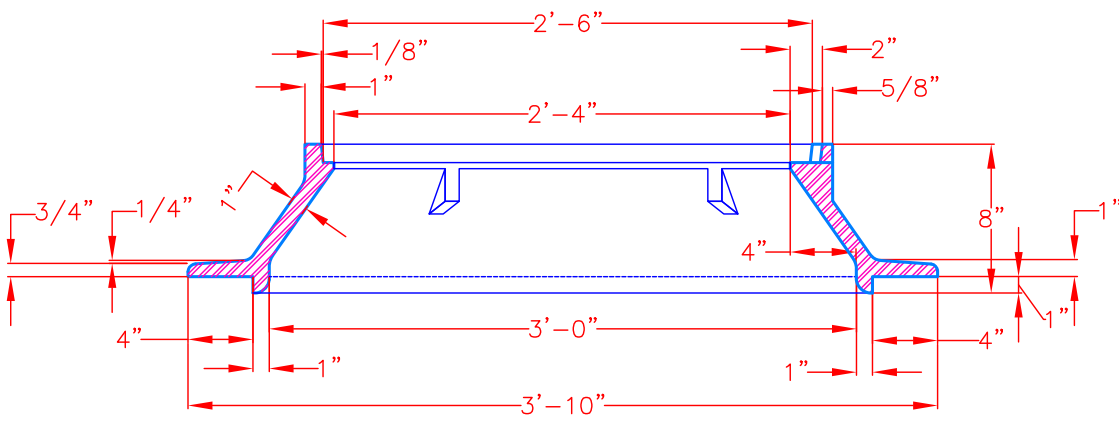
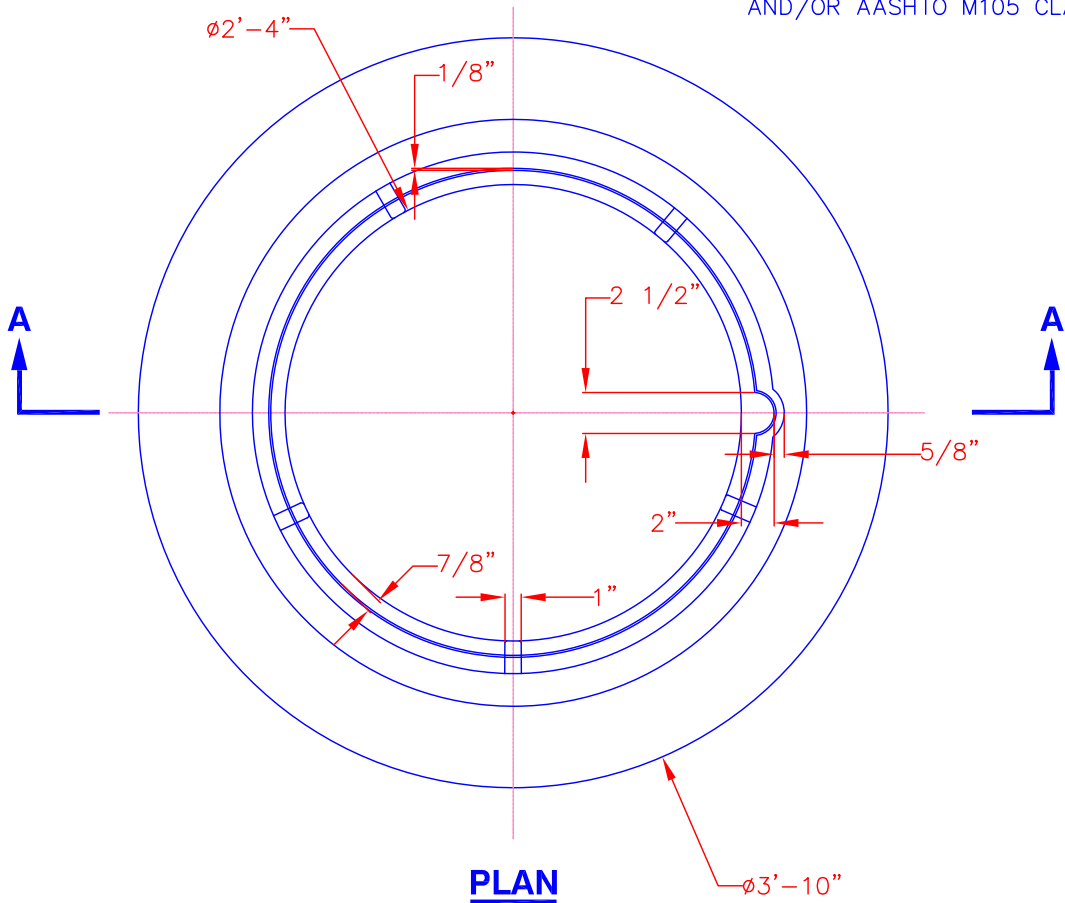


NOTE:
 ALL CASTINGS SHALL BE
 MANUFACTURED FROM GRAY IRON
 CONFORMING TO ASTM A48 CLASS 35B
 AND/OR AASHTO M105 CLASS 35B.



Location: I:\eng\ACAD_STD\Technical\Details\F - Castings\F1-D06 - Type B-5 Manhole Frame.dwg
 Plotted on: Tuesday, September 9, 2014 - 11:33 AM by Donohoe, William



Boston Water and Sewer Commission
 980 HARRISON AVE., BOSTON, MA 02119
 (617) 989-7000 www.bwsc.org

TYPE B-5 MANHOLE FRAME
NO. 99930000
 Scale: Not To Scale

DATE:
 Sept. 9, 2014

DETAIL NO.
F1-D06