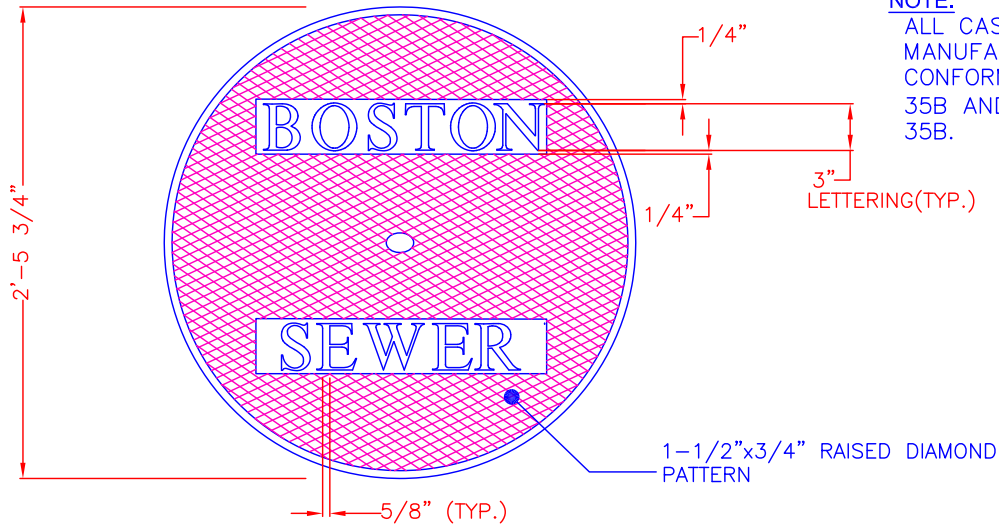


**NOTE:**

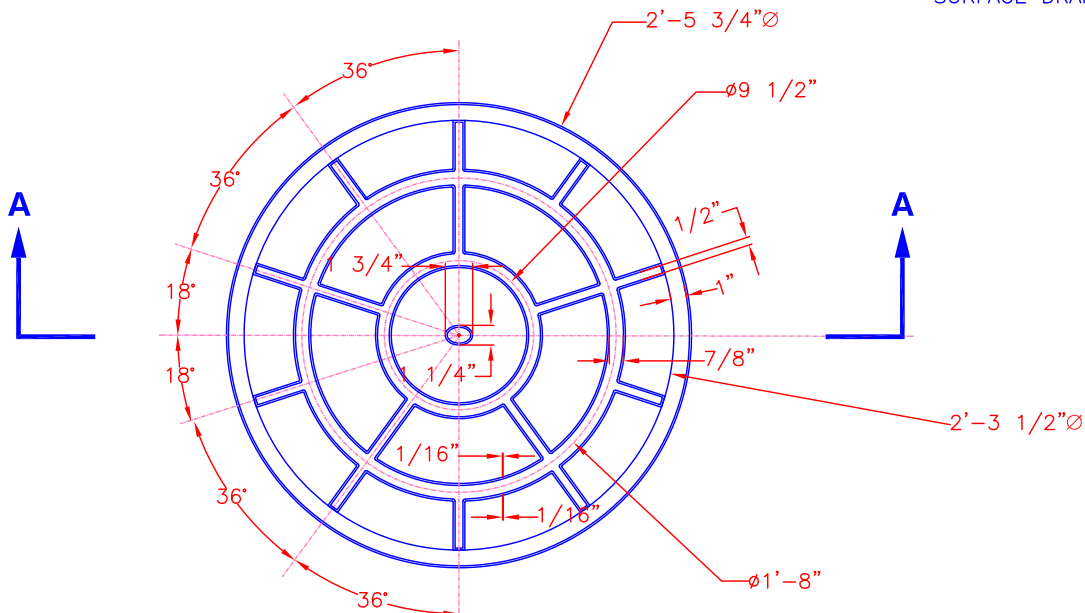
ALL CASTINGS SHALL BE MANUFACTURED FROM GRAY IRON CONFORMING TO ASTM A48 CLASS 35B AND/OR AASHTO M105 CLASS 35B.



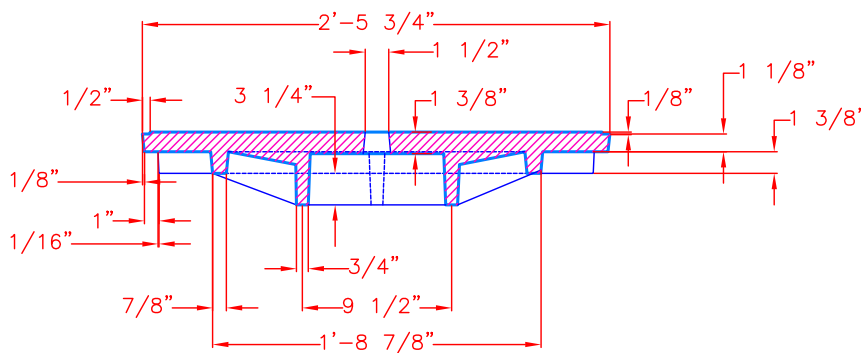
**PLAN**

**NOTE:**

THE WORD "DRAIN" SHALL BE CUT ON SURFACE DRAIN COVER



**PLAN  
UNDERSIDE OF COVER**



**SECTION A-A**

Location:Filename: V:\eng\ACAD\_STD\Technical Details\F - Castings\F1-D07 - Type B-5 Manhole Cover.dwg  
Plotted on: Thursday, January 23, 2014 - 9:38 AM by Donohoe, William



**Boston Water and Sewer Commission**

980 HARRISON AVE., BOSTON, MA 02119  
(617) 989-7000 www.bwsc.org

**TYPE B-5 MANHOLE COVER  
NO.99920000 - NO.99920001**

Scale: Not To Scale

DATE:  
JAN 17, 2014

DETAIL NO.  
F1-D07