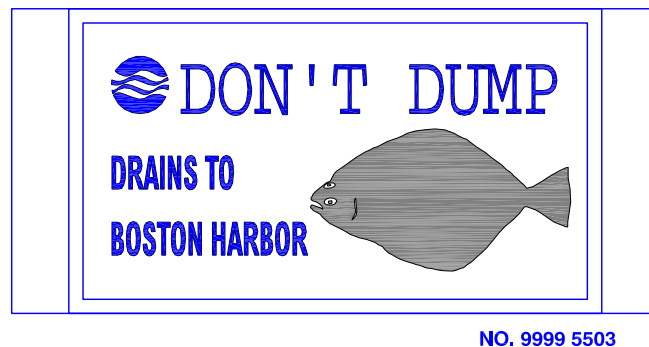
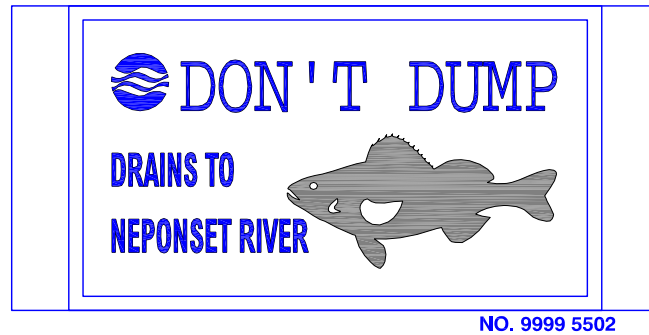
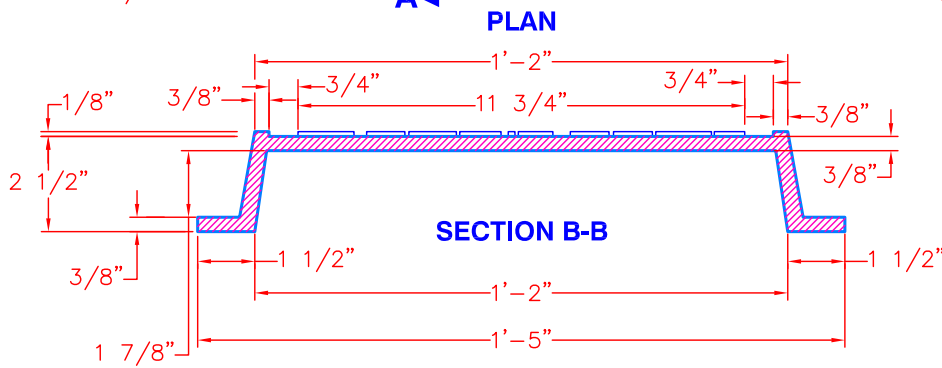
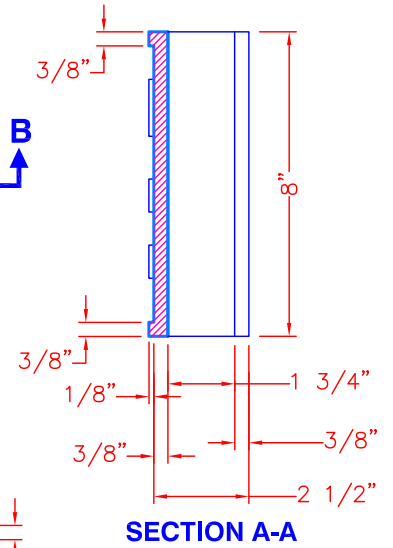
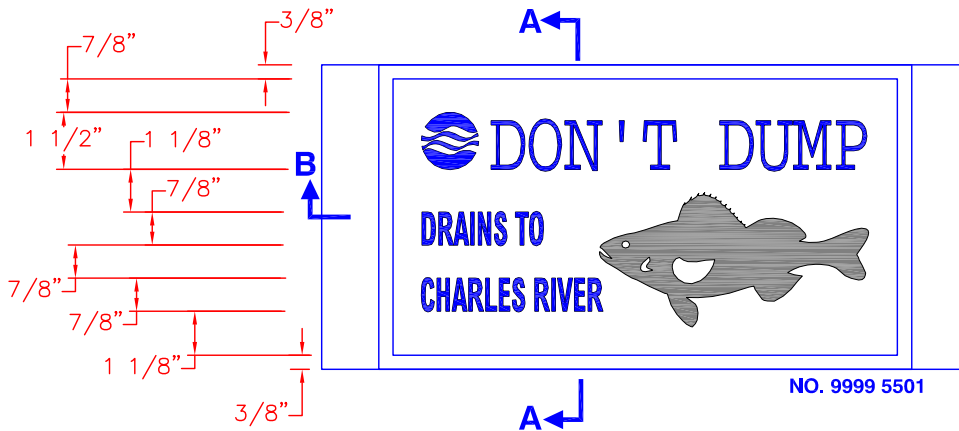


NOTE:
 ALL CASTINGS SHALL BE
 MANUFACTURED FROM GRAY IRON
 CONFORMING TO ASTM A48 CLASS 35B
 AND/OR AASHTO M105 CLASS 35B.



Location\Filenames: V:\eng\ACAD_STD\Technical\Details\F - Castings\F1-D23 - 8x14 Catch Basin Sign.dwg
 Plotted on: Thursday, January 23, 2014 - 9:51 AM by Donohoe, William



**Boston Water and
 Sewer Commission**

980 HARRISON AVE., BOSTON, MA 02119
 (617) 989-7000 www.bwsc.org

8X14 CATCH BASIN SIGN

Scale: Not To Scale

DATE:
 JAN 17, 2014

DETAIL NO.
 F1-D23