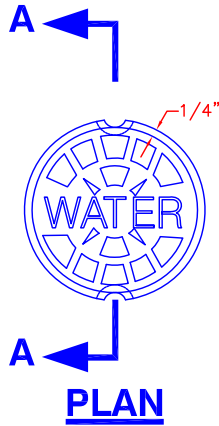
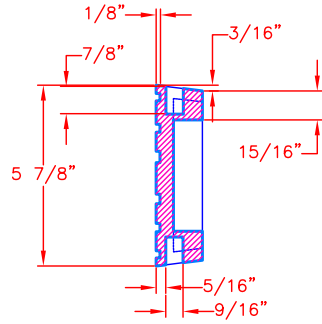


**NOTE:**

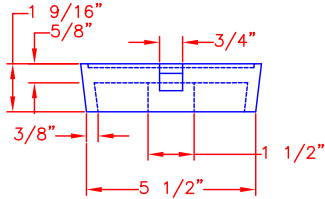
ALL CASTINGS SHALL BE MANUFACTURED FROM GRAY IRON CONFORMING TO ASTM A48 CLASS 35B AND/OR AASHTO M105 CLASS 35B.



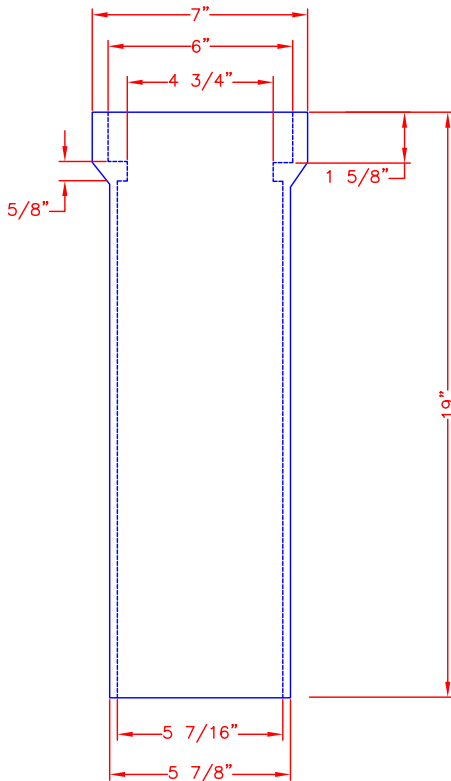
**PLAN**



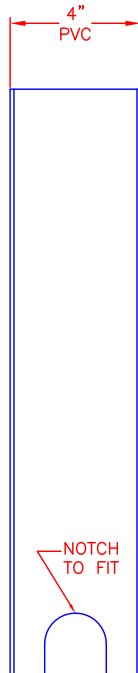
**SECTION A-A**



**COVER**



**TOP SECTION**



**BOTTOM SECTION**

**ITEM**  
COVER  
TOP SECTION

**NUMBER**  
99460000  
99460001



**Boston Water and Sewer Commission**

980 HARRISON AVE., BOSTON, MA 02119  
(617) 989-7000 www.bwsc.org

**WATER SERVICE ROADWAY BOX**

Scale: Not To Scale

DATE:  
Nov 20, 2014

DETAIL NO.  
**F2-09**