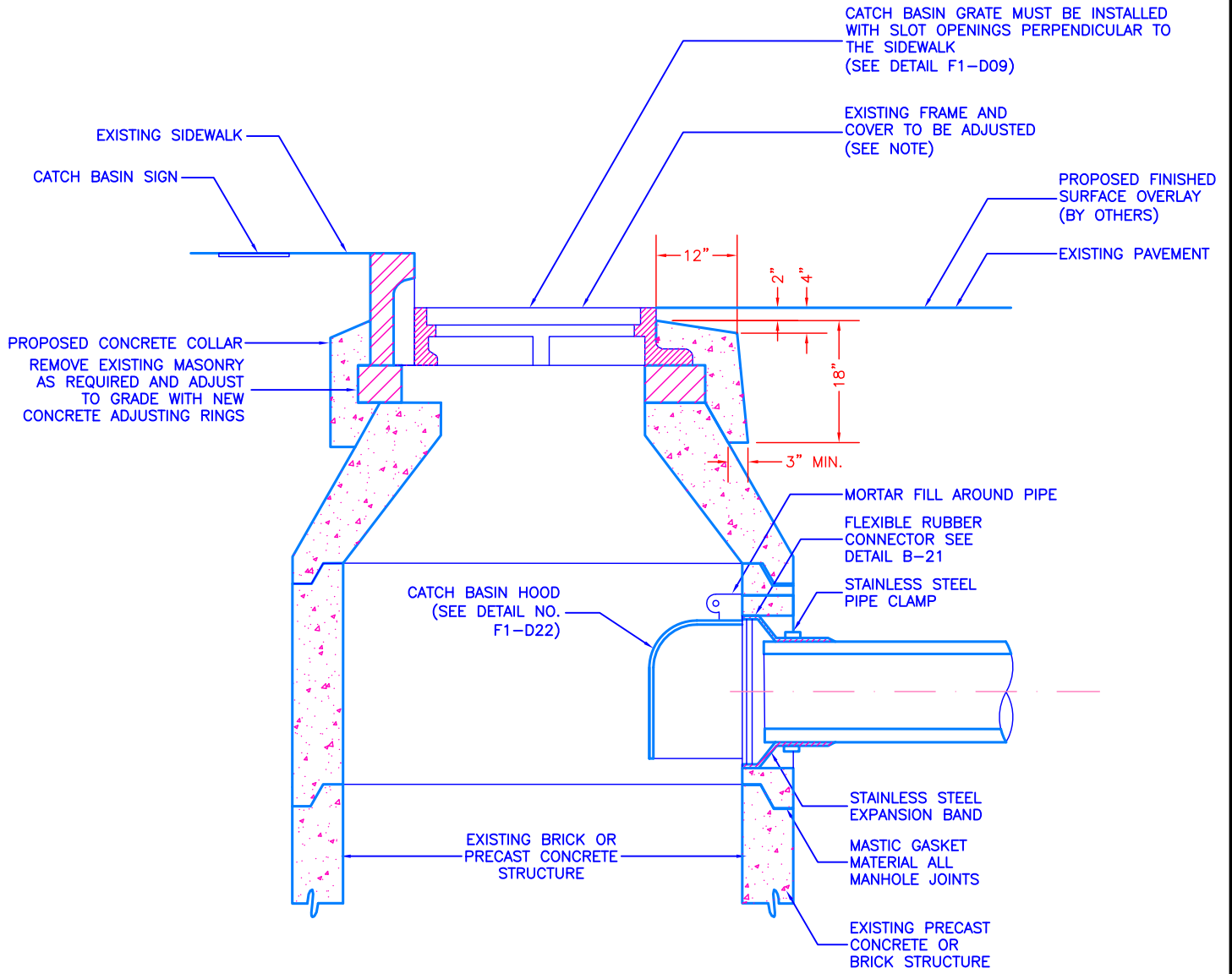


Location:Filename: V:\eng\ACAD_STD\Technical Details\B - Sewer Details\B-01a - Catch Basin Adjustment to Grade.dwg
 Plotted on: Monday, October 21, 2013 - 2:47 PM by Donohoe, William



NOTE:
 OVERLAY BY OTHERS WILL BE 1- $\frac{1}{4}$ " AT CENTERLINE TAPERING TO 1" AT CURBLINE



Boston Water and Sewer Commission

980 HARRISON AVE., BOSTON, MA 02119
 (617) 989-7000 www.bwsc.org

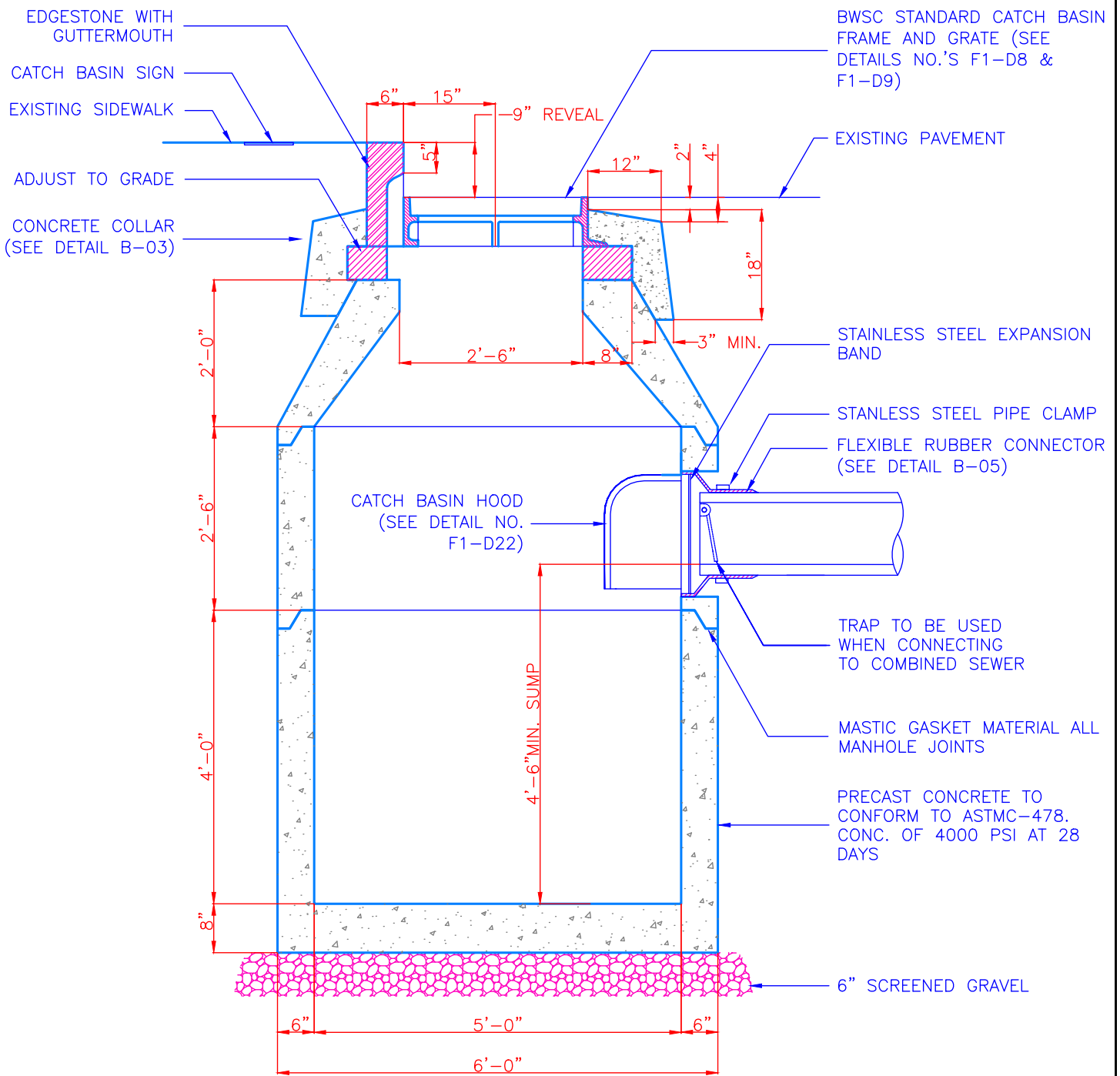
CATCH BASIN ADJUSTMENT TO GRADE

Scale: Not To Scale

DATE:
 Oct. 21, 2013

DETAIL NO.
B-01a

Location\Filename: V:\eng\ACAD_STD\Technical Details\B - Sewer Details\To be reviewed\DED_B-01b - Standard Catch Basin No 5.dwg
 Plotted on: Tuesday, August 6, 2019 - 12:49 PM by Devlin Denise



BWSC STANDARD EDGESTONE GUTTERMOUTH IS (72"L X 6"W X 18"H) WITH 3" RADIUS INLET THROAT ROUNDING. MINIMUM WIDTH IS 6". ALL OTHER DIMENSIONS TOLERANCES TO ±1".



Boston Water and Sewer Commission

980 HARRISON AVE., BOSTON, MA 02119
 (617) 989-7000 www.bwsc.org

STANDARD CATCH BASIN NO. 5

Scale: Not To Scale

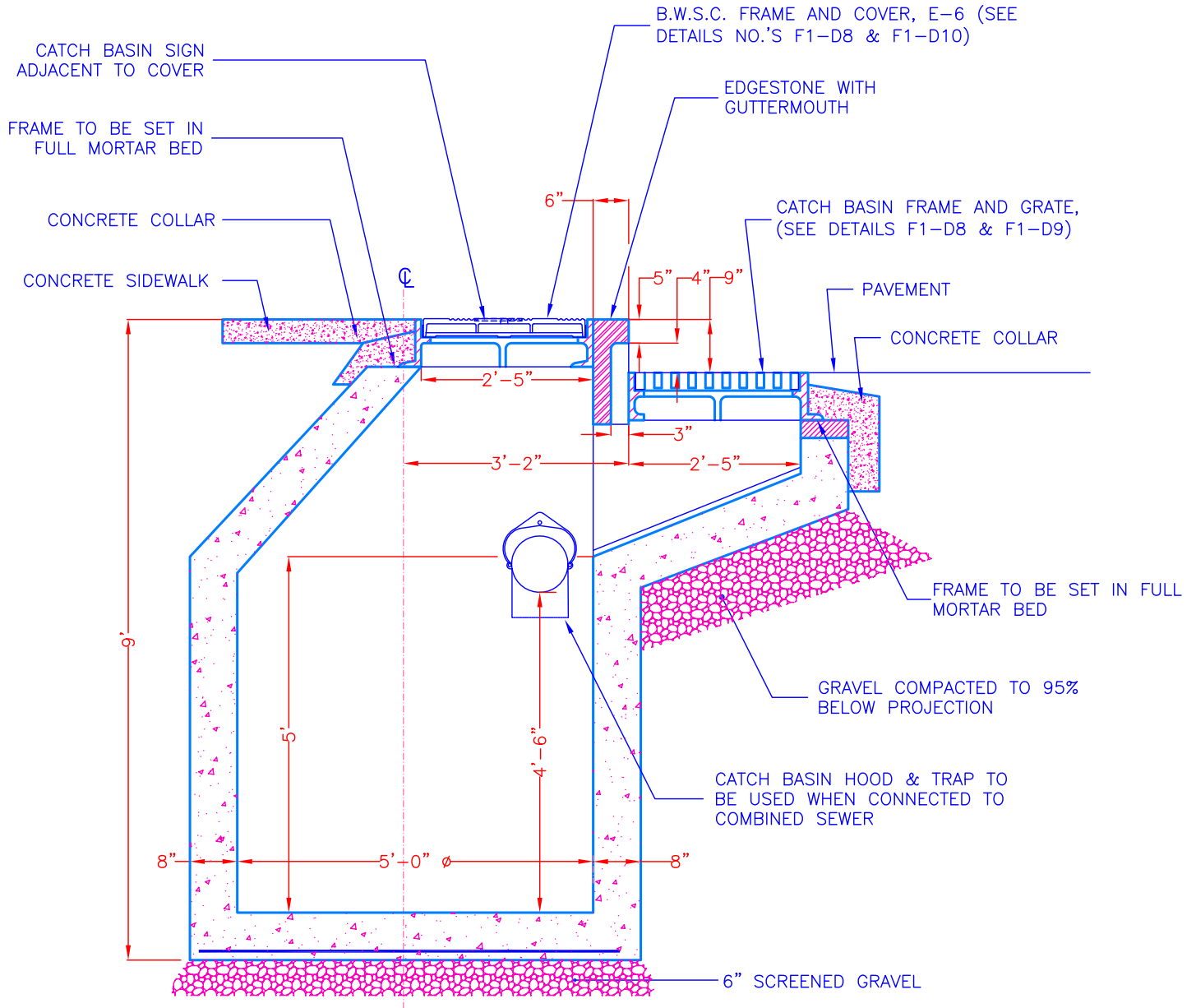
DATE:

Aug. 05, 2019

DETAIL NO.

B-01b

Location: V:\eng\ACAD_STD\Technical Details\B - Sewer Details\B-01c - Standard Catch Basin No 13.dwg
 Plotted on: Monday, October 21, 2013 - 12:42 PM by Donohoe, William



Boston Water and Sewer Commission

980 HARRISON AVE., BOSTON, MA 02119
 (617) 989-7000 www.bwsc.org

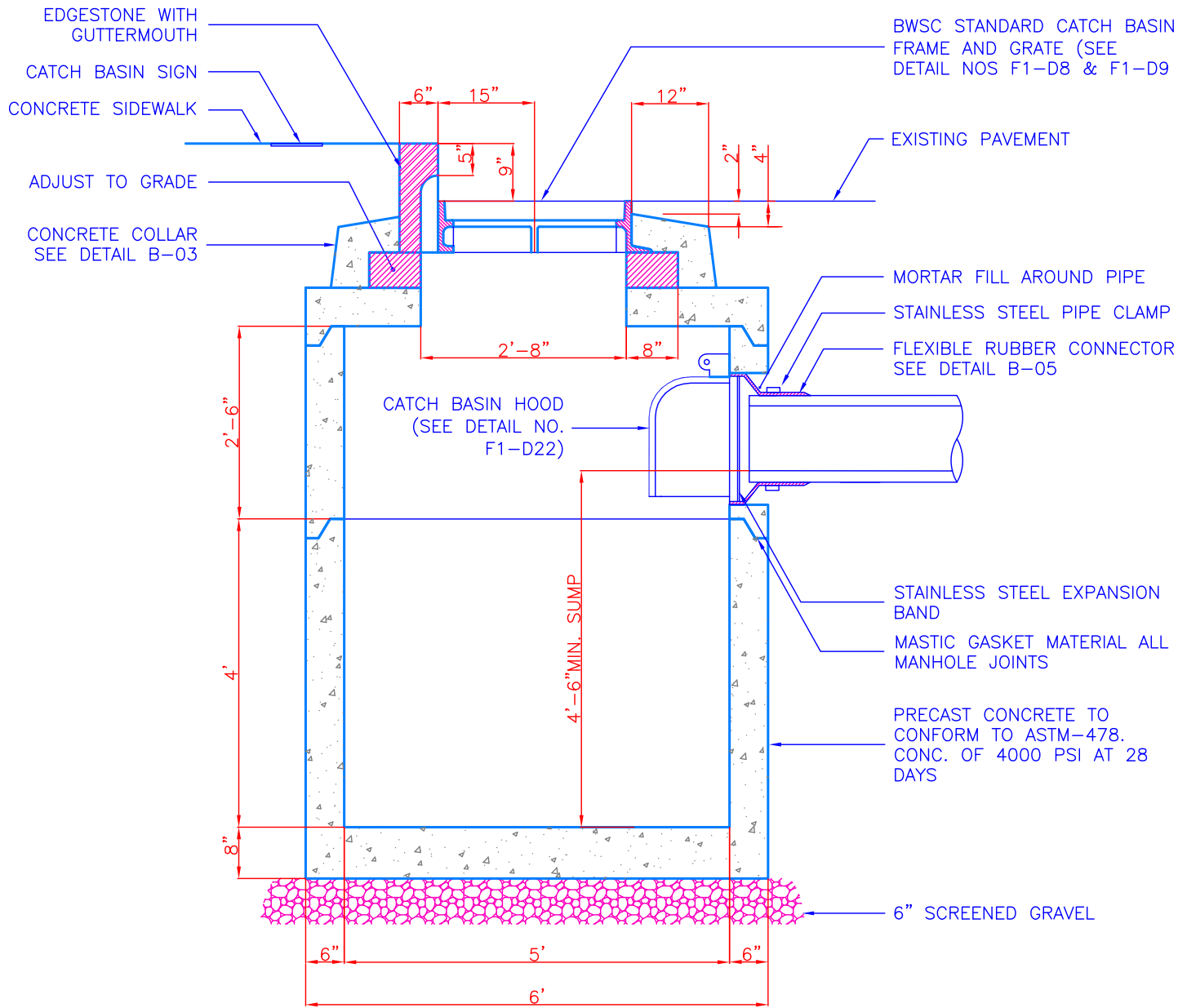
STANDARD CATCH BASIN NO. 13

Scale: Not To Scale

DATE:
 Oct. 21, 2013

DETAIL NO.
B-01c

Location: V:\eng\ACAD_STD\Technical Details\B - Sewer Details\B-01d - Shallow Catch Basin.dwg
 Plotted on: Monday, October 21, 2013 - 2:47 PM by Donohoe, William



Boston Water and Sewer Commission

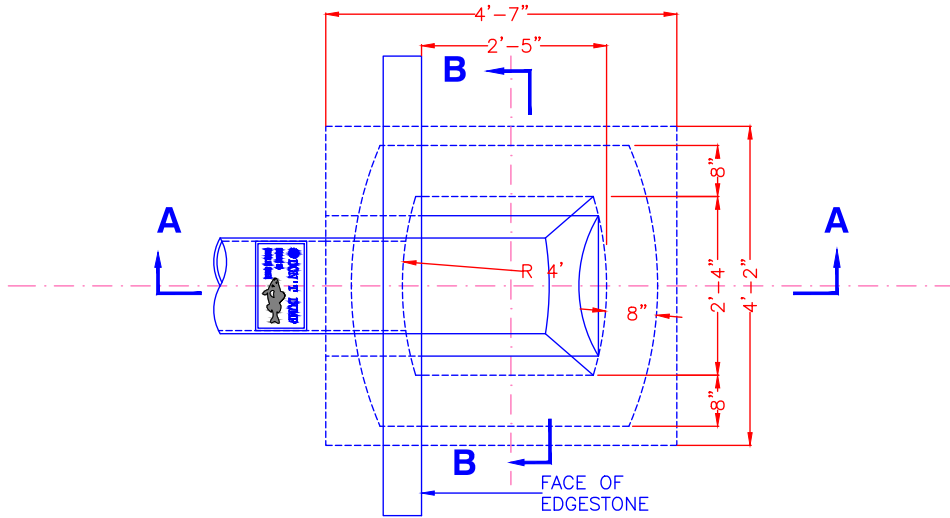
980 HARRISON AVE., BOSTON, MA 02119
 (617) 989-7000 www.bwsc.org

SHALLOW CATCH BASIN

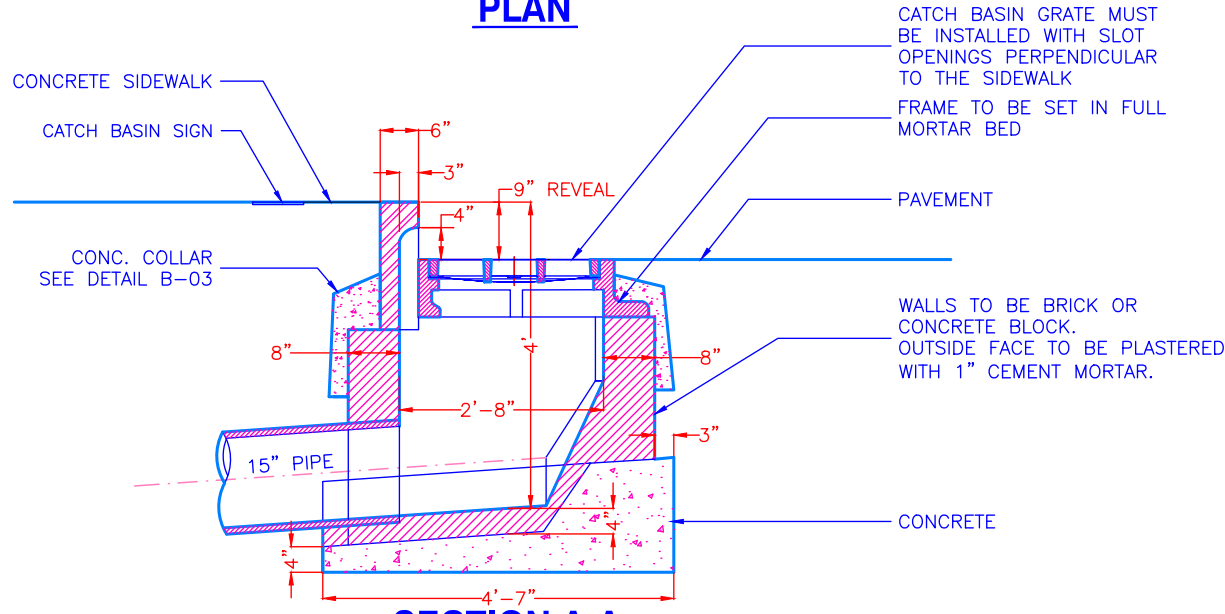
Scale: Not To Scale

DATE:
 Oct. 21, 2013

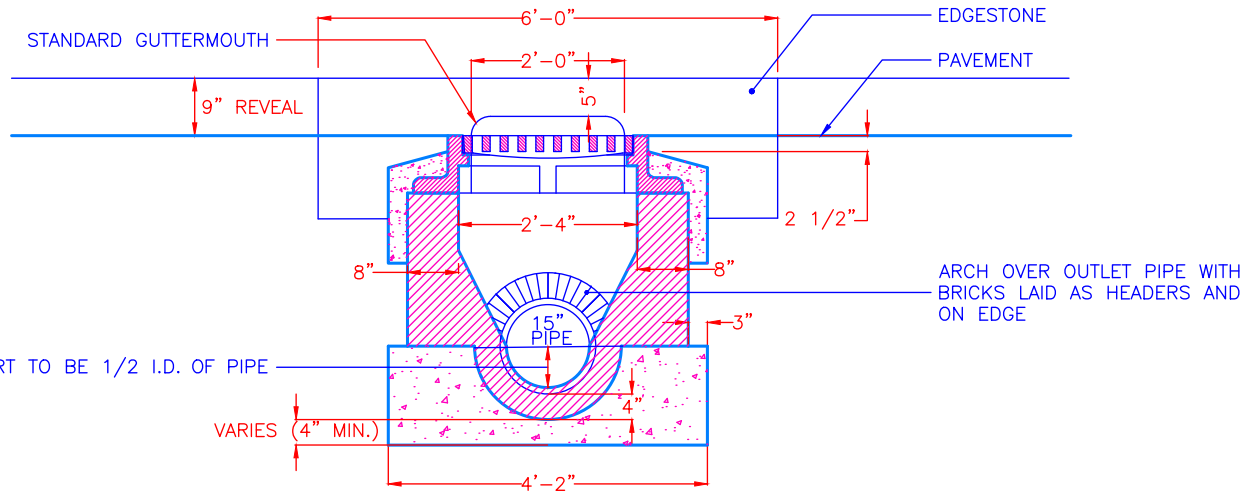
DETAIL NO.
 B-01d



PLAN



SECTION A-A



SECTION B-B

BWSC STANDARD EDGESTONE GUTTERMOUTH IS (72" L X 6" W X 18" H) WITH 3" RADIUS INLET THROAT ROUNDING. MINIMUM WIDTH IS 6". ALL OTHER DIMENSION TOLERANCES TO ±1".

Location: V:\eng\ACAD_STD\Technical Details\B - Sewer Details\To be reviewed\DED_B-01e - Drop Inlet with Guttermouth.dwg
Plotted on: Monday, August 5, 2019, 5:12 PM by Devlin Denise



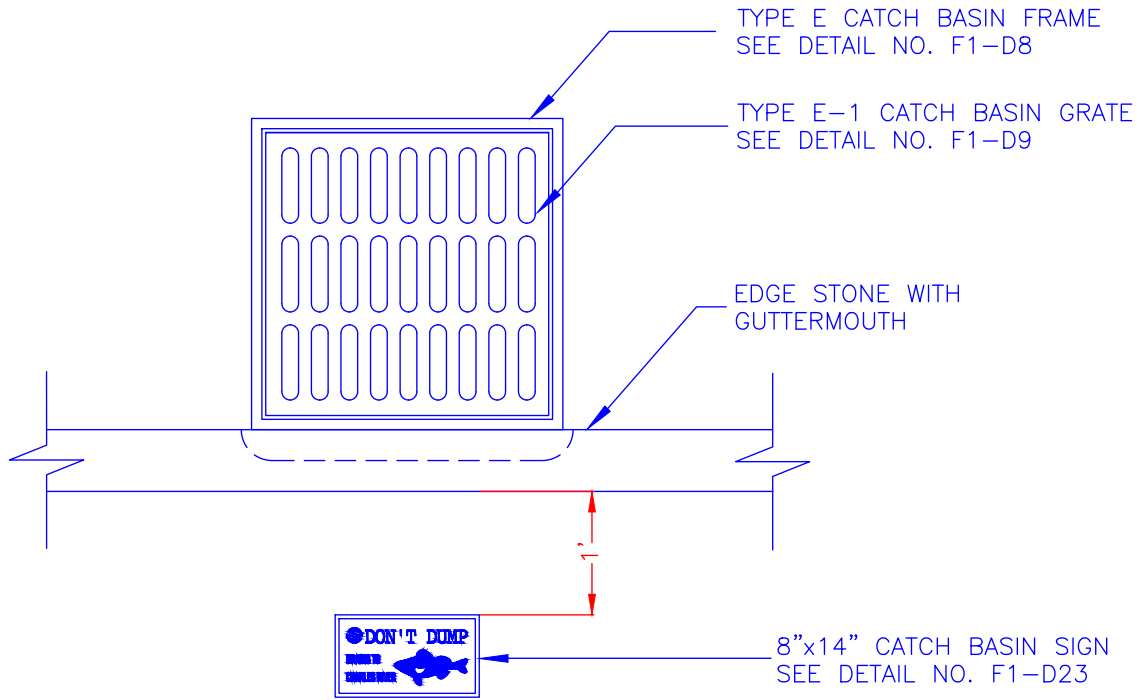
Boston Water and Sewer Commission
980 HARRISON AVE., BOSTON, MA 02119
(617) 989-7000 www.bwsc.org

DROP INLET WITH GUTTERMOUTH

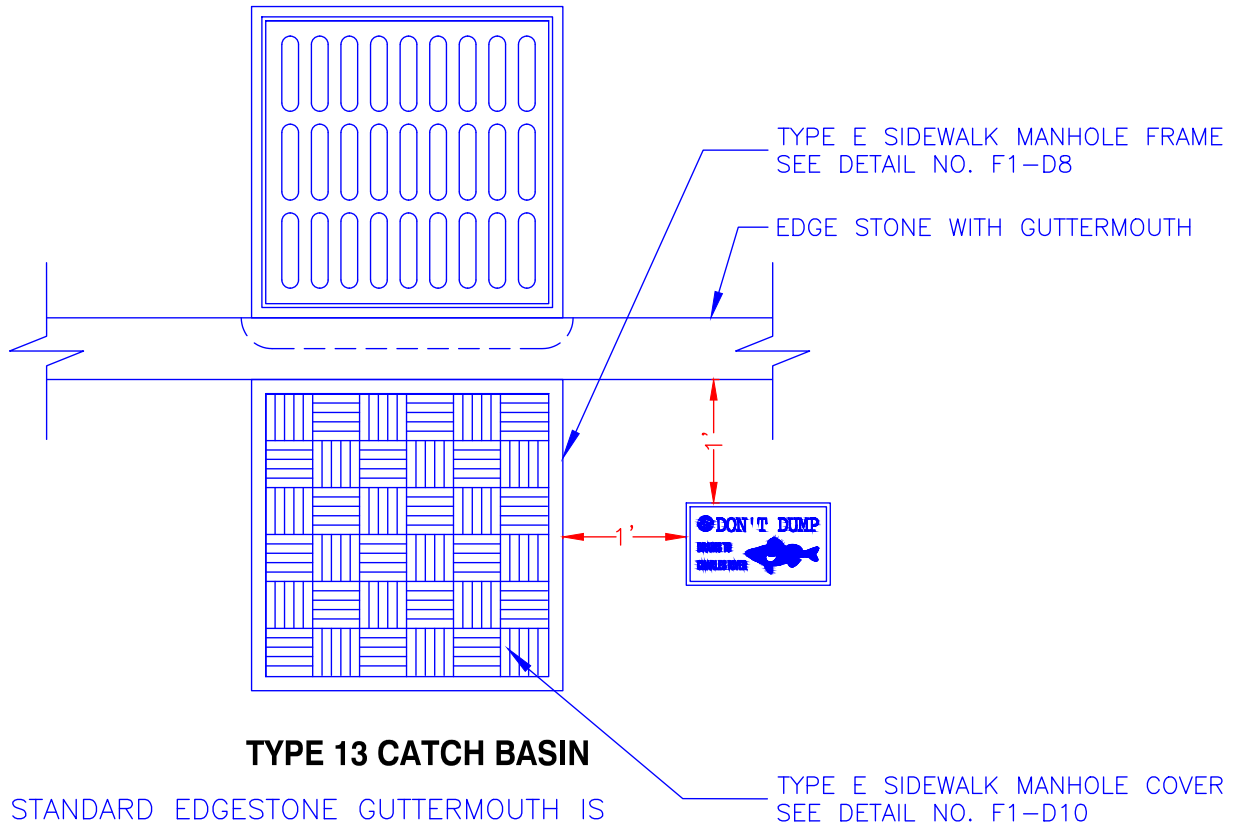
Scale: Not To Scale

DATE:
Aug. 05, 2019

DETAIL NO.
B-01e



STANDARD CATCH BASIN



TYPE 13 CATCH BASIN

BWSC STANDARD EDGESTONE GUTTERMOUTH IS (72" L X 6" W X 18" H) WITH 3" RADIUS INLET THROAT ROUNDING. MINIMUM WIDTH IS 6". ALL OTHER DIMENSION TOLERANCES TO ±1".

Location: V:\eng\ACAD_STD\Technical Details\B - Sewer Details\To be reviewed\DED_B-01f - Catch Basin Sign Installation.dwg
Plotted on: Monday, August 5, 2019, 5:16 PM by Devlin Denise



Boston Water and Sewer Commission
980 HARRISON AVE., BOSTON, MA 02119
(617) 989-7000 www.bwsc.org

CATCH BASIN SIGN INSTALLATION

Scale: Not To Scale

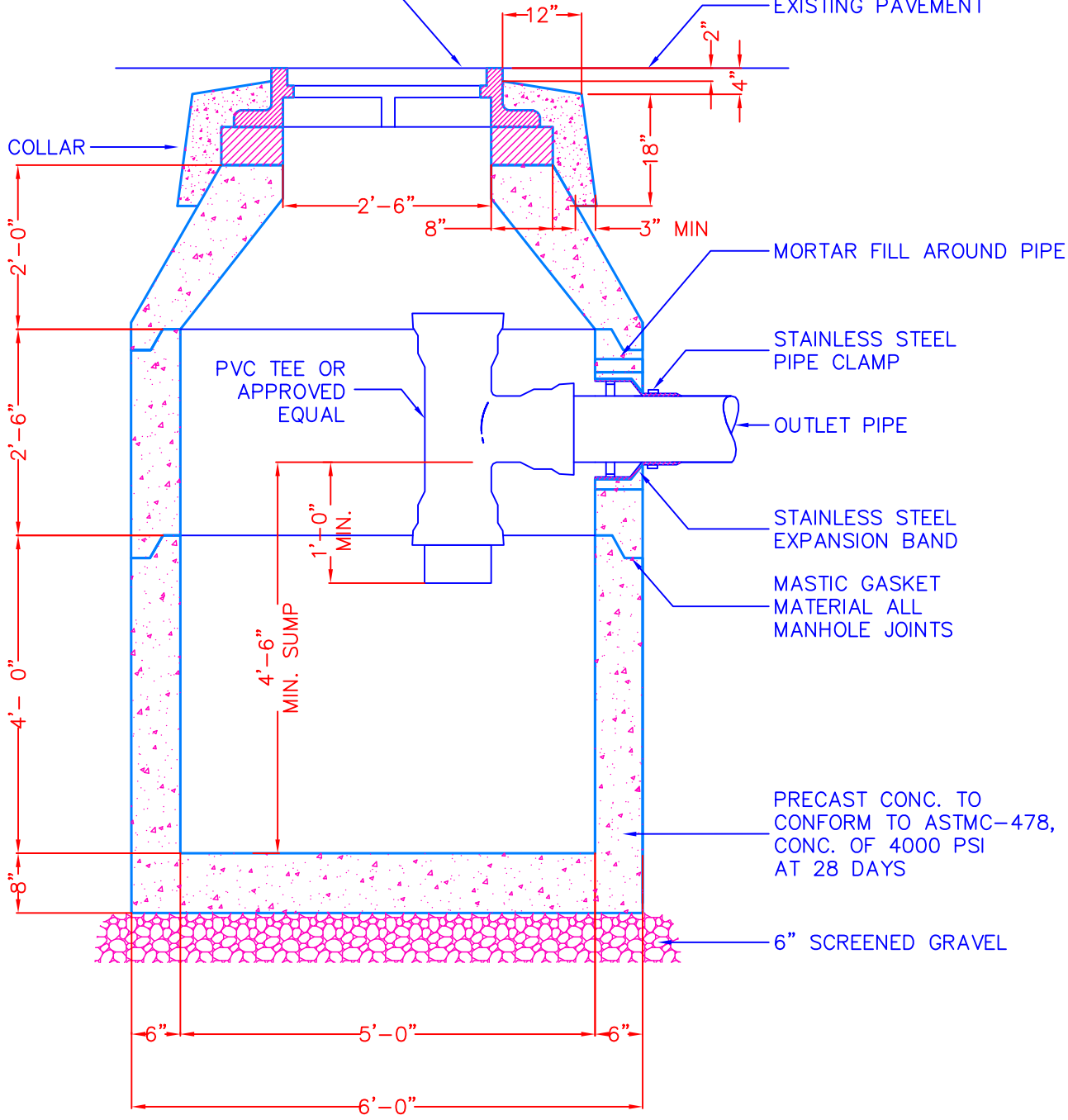
DATE:
Aug. 05, 2019

DETAIL NO.
B-01f

BWSC STANDARD
CATCH BASIN
FRAME AND GRATE

EXISTING PAVEMENT

CONCRETE COLLAR



MORTAR FILL AROUND PIPE

PVC TEE OR
APPROVED
EQUAL

STAINLESS STEEL
PIPE CLAMP

OUTLET PIPE

STAINLESS STEEL
EXPANSION BAND

MASTIC GASKET
MATERIAL ALL
MANHOLE JOINTS

PRECAST CONC. TO
CONFORM TO ASTM C-478,
CONC. OF 4000 PSI
AT 28 DAYS

6" SCREENED GRAVEL

Location:Filename: V:\eng\ACAD_STD\Technical Details\B - Sewer Details\B-01g - Catch Basin with Oil Trap Outlet.dwg
Plotted on: Tuesday, January 15, 2013 - 12:38 PM by Donohoe, William



**Boston Water and
Sewer Commission**

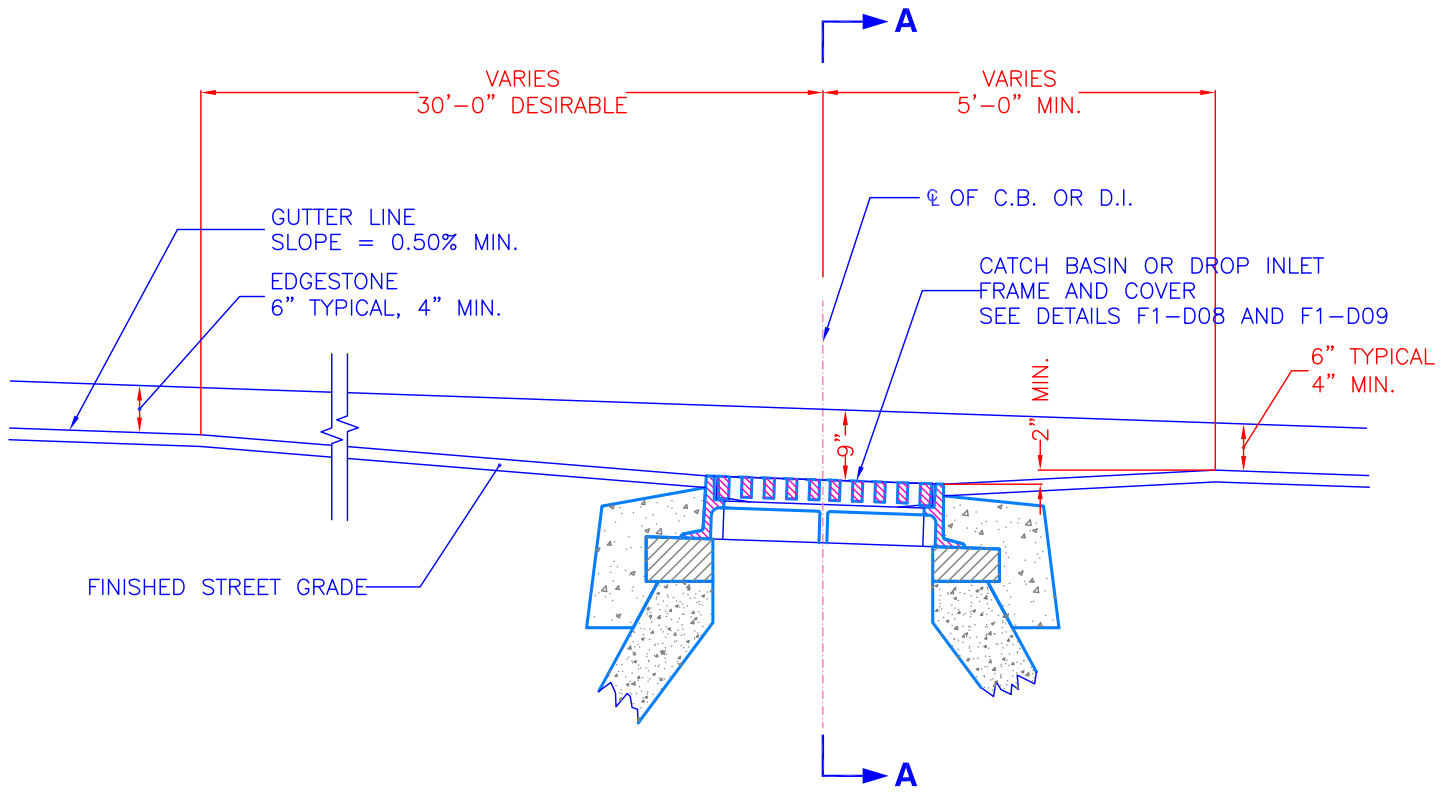
980 HARRISON AVE., BOSTON, MA 02119
(617) 989-7000 www.bwsc.org

CATCH BASIN WITH OIL TRAP OUTLET

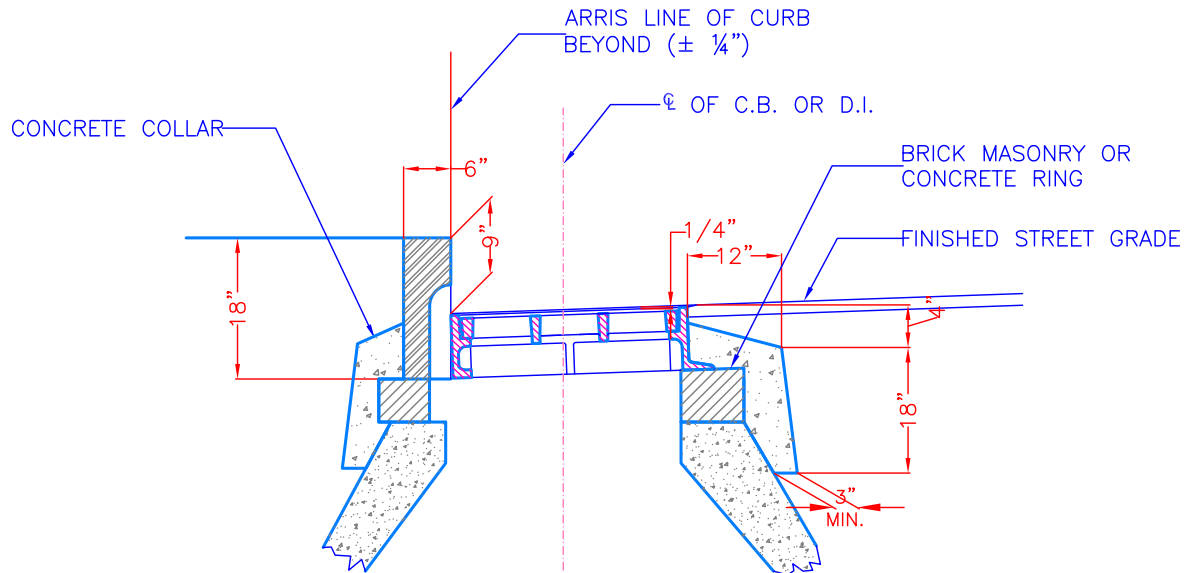
Scale: Not To Scale

DATE:
June 30, 2012

DETAIL NO.
B-01g



PROFILE ALONG GUTTER LINE



SECTION A-A

Location:Filename: V:\eng\ACAD_STD\Technical Details\B - Sewer Details\B-01h - Tolerances for Setting Catch Basin and Curb Inlet Frame.dwg
 Plotted on: Tuesday, January 15, 2013 - 12:49 PM by Donohoe, William



Boston Water and Sewer Commission

980 HARRISON AVE., BOSTON, MA 02119
 (617) 989-7000 www.bwsc.org

TOLERANCES FOR SETTING CATCH BASIN AND CURB INLET FRAME

Scale: Not To Scale

DATE:
 June 30, 2012

DETAIL NO.
B-01h